

Parts List

Sewing Machines

9876 / 9876-1

9868 / 9868-1

9860 / 9860-1

9858 / 9858-1

9855 / 9855-1

9852 / 9853-1

9850 / 9852-1



© 2005 SINGER DO BRASIL
ALL RIGHTS RESERVED

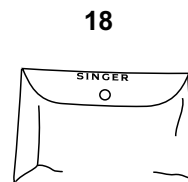
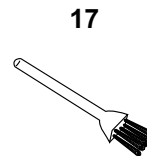
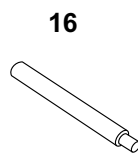
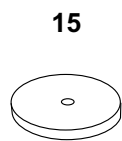
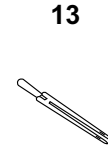
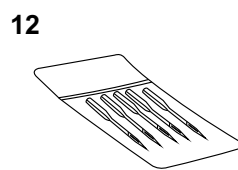
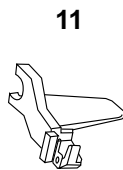
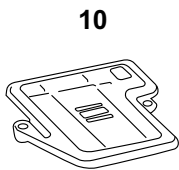
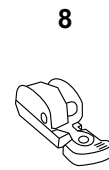
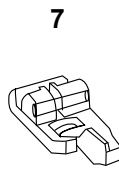
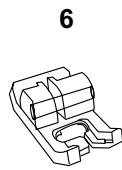
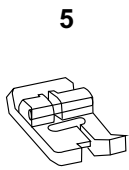
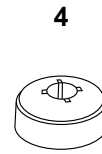
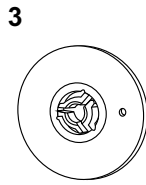
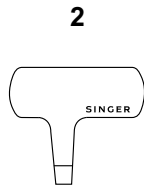
® A registered trademark of THE SINGER COMPANY LIMITED

Printed in Brazil

P/N 358491002 MAR/05

PARTS DESCRIPTION	PAGE
ATTACHMENT SET	02 to 03
ARM, BED, THROAT PLATE AND BED SLIDE	04 & 05
COVERS	06 to 15
THREAD TAKE-UP MECHANISM & AUTOMATIC NEEDLE THREADER	16 & 17
NEEDLE BAR	18 to 21
PRESSER BAR	22 & 23
ARM SHAFT DRIVER	24 & 25
HAND WHEEL	26 & 27
TENSION MECHANISM	28 & 29
HOOK SYSTEM	30 & 31
BIGHT AMPLITUDE	32 & 33
NEEDLE POSITION	34 & 35
PATTERN SELECTOR	36 & 37
CAM STACK	38 & 39
FEED REGULATOR CAM	40 & 41
BUTTONHOLE	40 & 41
CAM CONTROLLED FEED	42 & 43
FEED SYSTEM	44 to 47
ELECTRICAL EQUIPAMENT	48 & 49

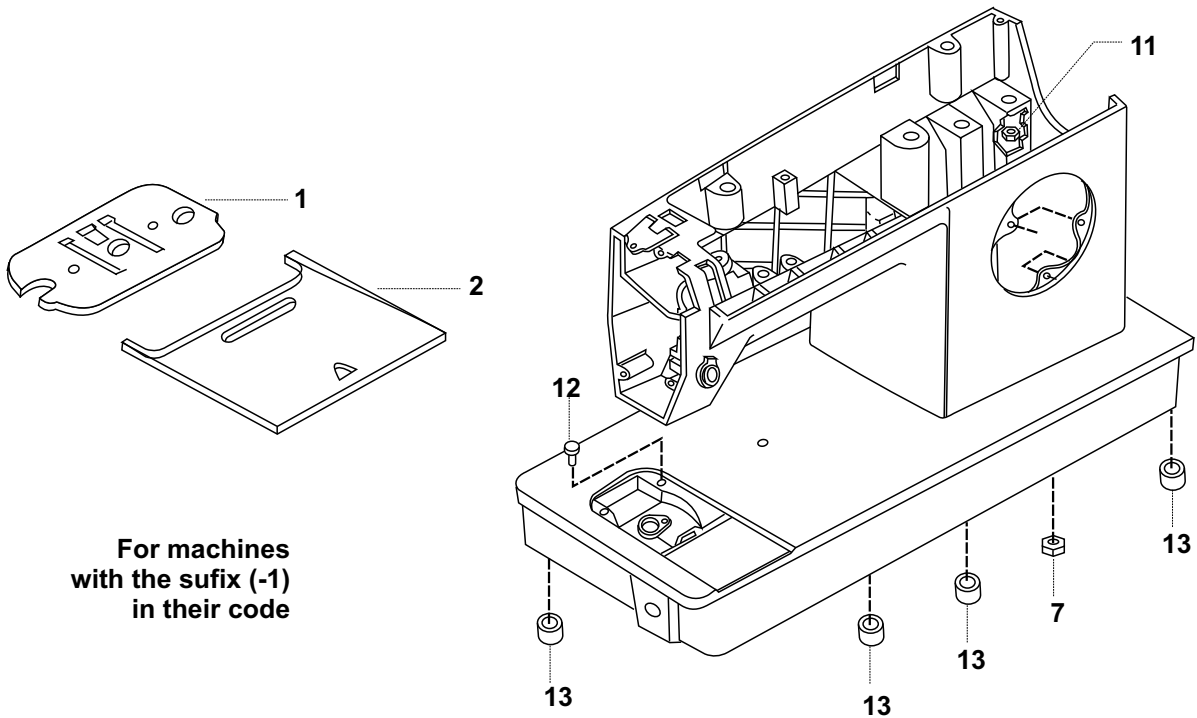
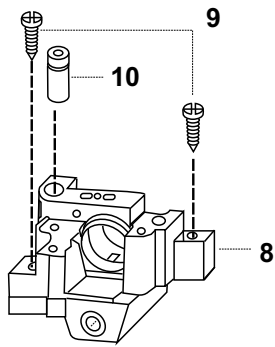
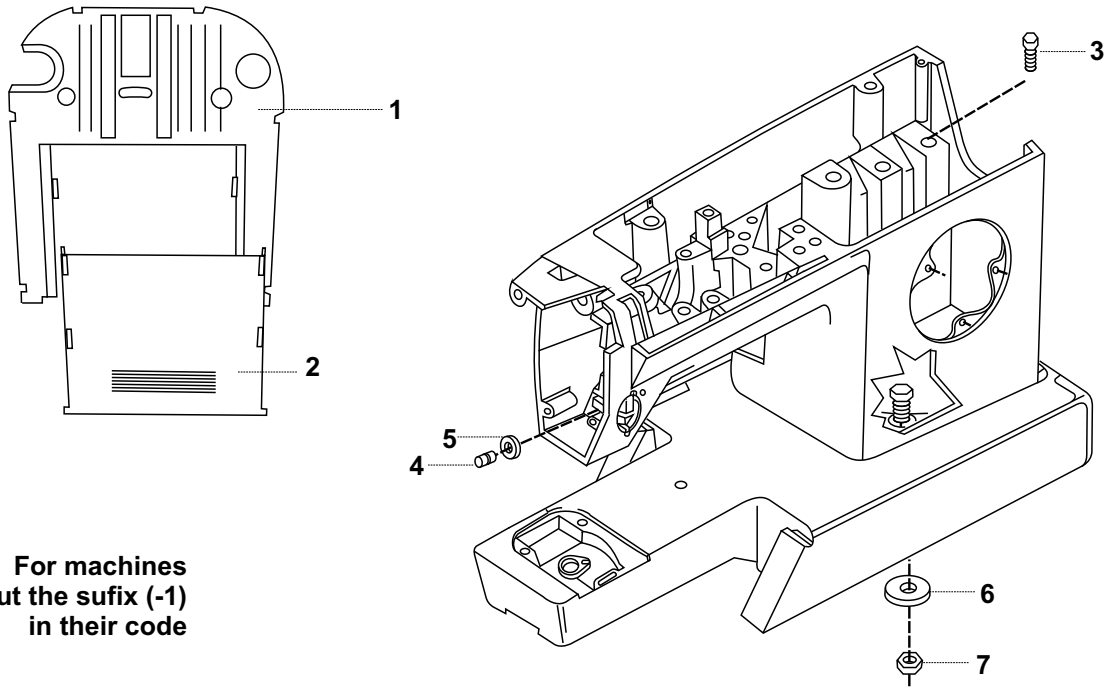
ATTACHMENT SET



REF.	PARTS NUMBER	DESCRIPTION	9876	9868	9860	9858	9855	9852	9850	9876-1	9868-1	9860-1	9858-1	9855-1	9853-1	9852-1
1	358129001	Singer oil container	•	•	•			•		•	•	•			•	
2	357306000	Screwdriver	•	•	•					•	•	•				
3	358349900	Spool pin thread lead off	•	•		•	•		•	•	•		•	•		•
4	507664467	Spool pin thread lead off (small)	•	•	•	•	•	•	•	•	•	•	•	•	•	•
5	446492000	Presser foot for embroidering (J)	•	•	•	•	•	•	•	•	•	•	•	•	•	•
6	161927000	Buttonhole presser foot (L)	•	•	•		•	•	•	•	•	•		•	•	•
7	356630000BUY	Blind hem presser foot	•	•	•		•		•	•	•	•		•		•
8	507836000BUY	Zipper presser foot	•	•	•		•	•	•	•	•	•		•	•	•
9	179911000BUY	Presser foot for button sewing (H)	•	•				•		•	•				•	
10	313117000BUY	Feed cover				•	•	•	•	•	•		•	•	•	•
11	357750001	Needle threader						•							•	
12	353364000	Needle pack	•	•	•	•	•	•	•	•	•	•	•	•	•	•
13	531868000	Twin needle	•	•	•			•		•	•	•			•	
14	172336000BUY	Bobbins (3 unities)	•	•	•	•	•	•	•	•	•	•	•	•	•	•
15	8879656	Felt for spool pin	•	•	•			•		•	•	•			•	
16	356942453	Spool pin	•	•	•			•		•	•	•			•	
17	546358000	Lint brush	•	•	•			•		•	•	•			•	
18	358286451	Attachment set pack				•							•			
19	358465xxx	Attachment set complete	•	•			•		•	•	•			•		•
20	358403xxx	Attachment set complete			•							•				
21	358244xxx	Attachment set complete				•							•			
22	357657xxx	Attachment set complete						•							•	

When you need a part number with the suffix (xxx), please indicate the machine model where will be used.

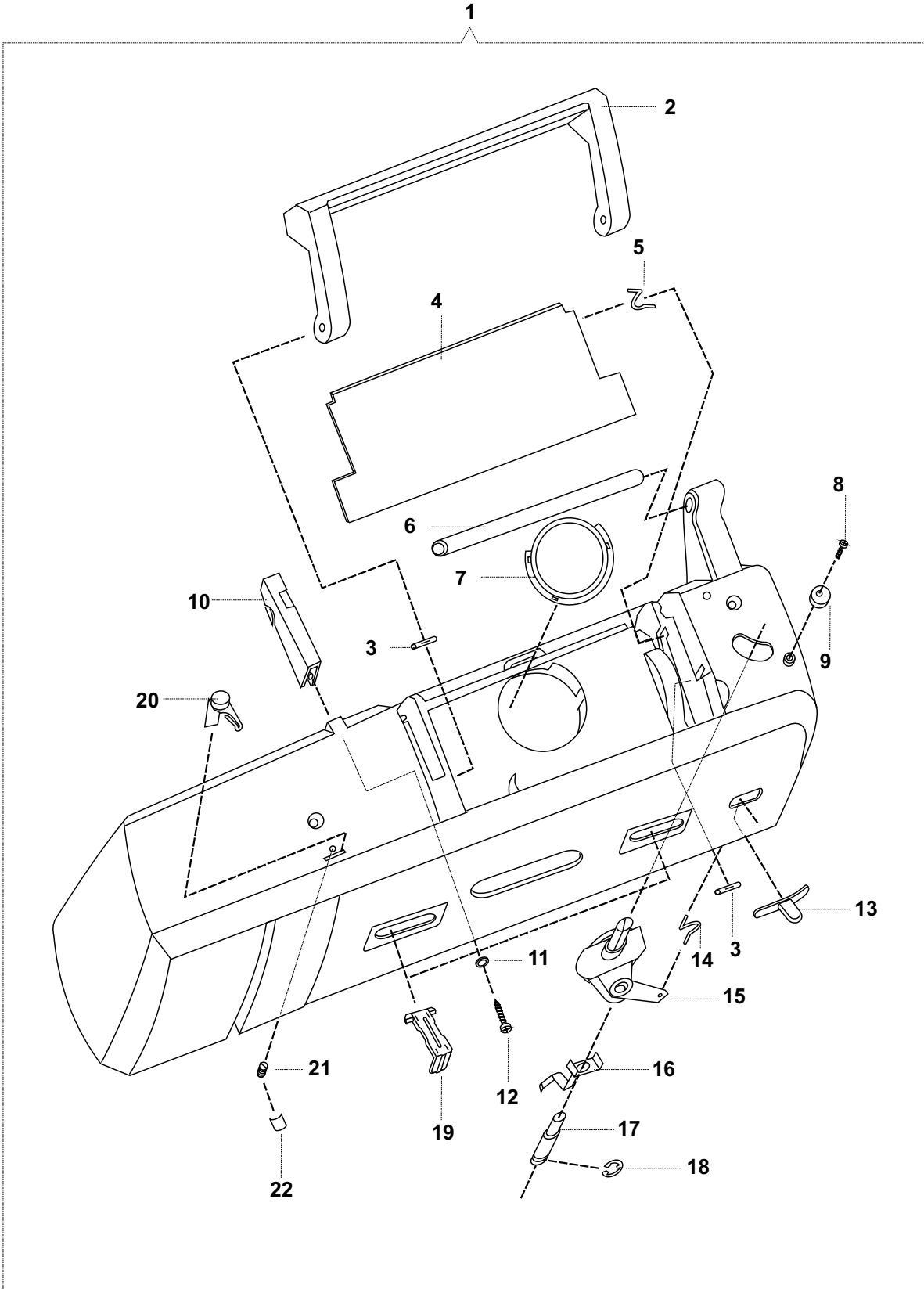
ARM, BED, THROAT PLATE AND BED SLIDE



ARM, BED, THROAT PLATE AND BED SLIDE

REF.	PARTS NUMBER	DESCRIPTION	9876	9868	9860	9858	9855	9852	9850	9876-1	9868-1	9860-1	9858-1	9855-1	9853-1	9852-1
01	358318900	Throat plate	•	•	•	•	•	•	•							
01	356713000	Throat plate								•	•	•	•	•	•	•
02	358319900	Bobbin visor	•	•	•	•	•	•	•							
02	179982000	Slide plate								•	•	•	•	•	•	•
03	113455001	Rear housing mounting screw	•	•	•	•	•	•	•	•	•	•	•	•	•	•
04	357438001	Tension realising lever hinge pin	•	•	•	•	•	•	•	•	•	•	•	•	•	•
05	357464002	Washer	•	•	•	•	•	•	•	•	•	•	•	•	•	•
06	353375451	Washer	•	•	•	•	•	•	•							
07	514608000	Nut	•	•	•	•	•	•	•	•	•	•	•	•	•	•
08	446347932	Arm shaft (rear) housing assembly	•	•	•		•	•		•	•		•	•	•	
08	358414001	Arm shaft (rear) housing assembly				•		•				•				•
09	113455006	Screw	•	•	•	•	•	•	•	•	•	•	•	•	•	•
10	357019000	Arm top cover support stud	•	•	•	•	•	•	•	•	•	•	•	•	•	•
11	357020451	House mounting screw								•	•	•	•	•	•	•
12	353624000BUY	Needle plate pin								•	•	•	•	•	•	•
13	357797451	Under bed cover cushion	•	•	•	•	•	•	•	•	•	•	•	•	•	•

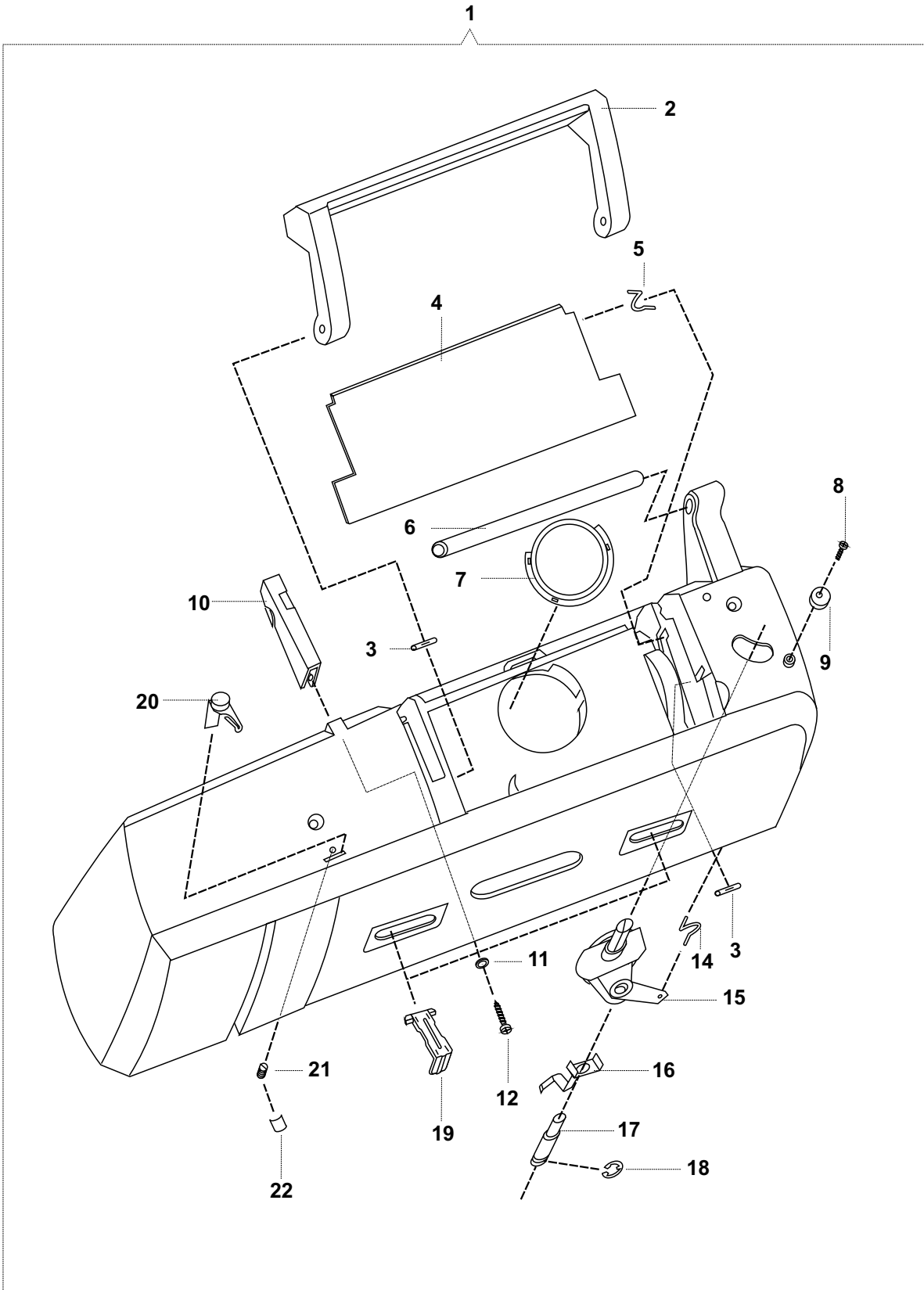
When you need a part number with the suffix (xxx), please indicate the machine model where will be used.



9876 / 9876-1
9868 / 9868-1
9860 / 9860-1

REF.	PARTS NUMBER	DESCRIPTION	9876/9876-1	9868/9868-1	9860/9860-1
01	358417xxx	Arm top cover, complete	•	•	•
02	358298900	Machine handle	•	•	•
03	357325900	Handle hinge pin	•	•	•
04	358297xxx	Arm top cover lid	•	•	•
05	357002000	Arm top cover lid spring	•	•	•
06	356758903BUY	Horizontal spool pin	•	•	•
07	358299900	Camstack inside cover		•	•
08	113375452	Bobbin winder stop screw	•	•	•
09	357718900BUY	Bobbin winder stop	•	•	•
10	357084451BUY	Thread guide	•	•	•
11	446138000	Thread guide washer	•	•	•
12	356116451	Thread guide screw	•	•	•
13	358375901	Stitch balance selector button	•	•	•
14	358331900	Bobbin winder spring	•	•	•
15	531767452	Bobbin winder assembly	•	•	•
16	358316900	Hand wheel desingaging driver	•	•	•
17	358328900	Bobbin winder hinge pin	•	•	•
18	445486000	Retaining ring	•	•	•
19	358311901	Lever knobs	•	•	•
20	356047000	Bobbin winder tensioner, complete	•	•	•
21	141936833	Tension bracket adjusting screw	•	•	•
22	44794000	Tension bracket adjusting screw retaining clip	•	•	•

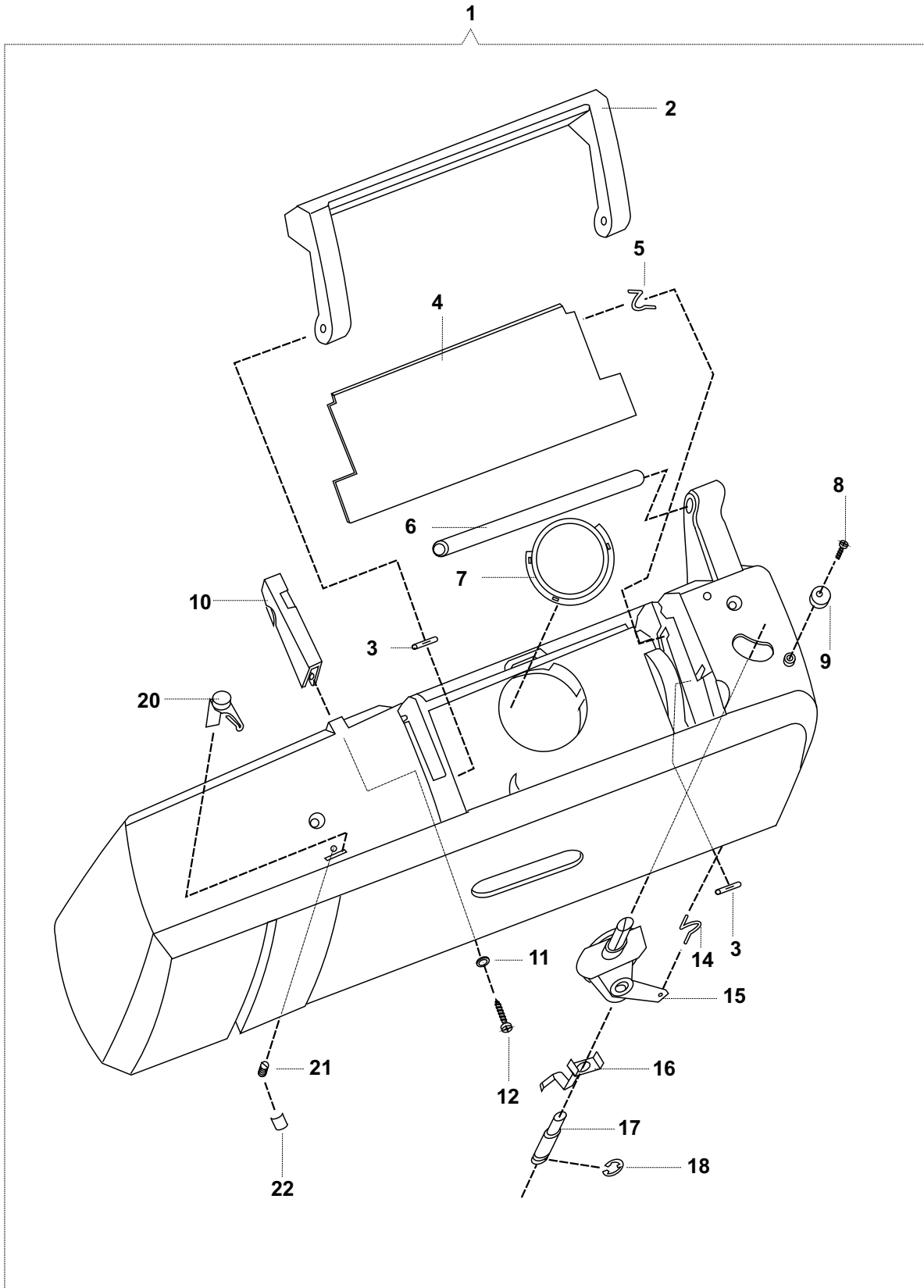
When you need a part number with the suffix (xxx), please indicate the machine model where will be used.



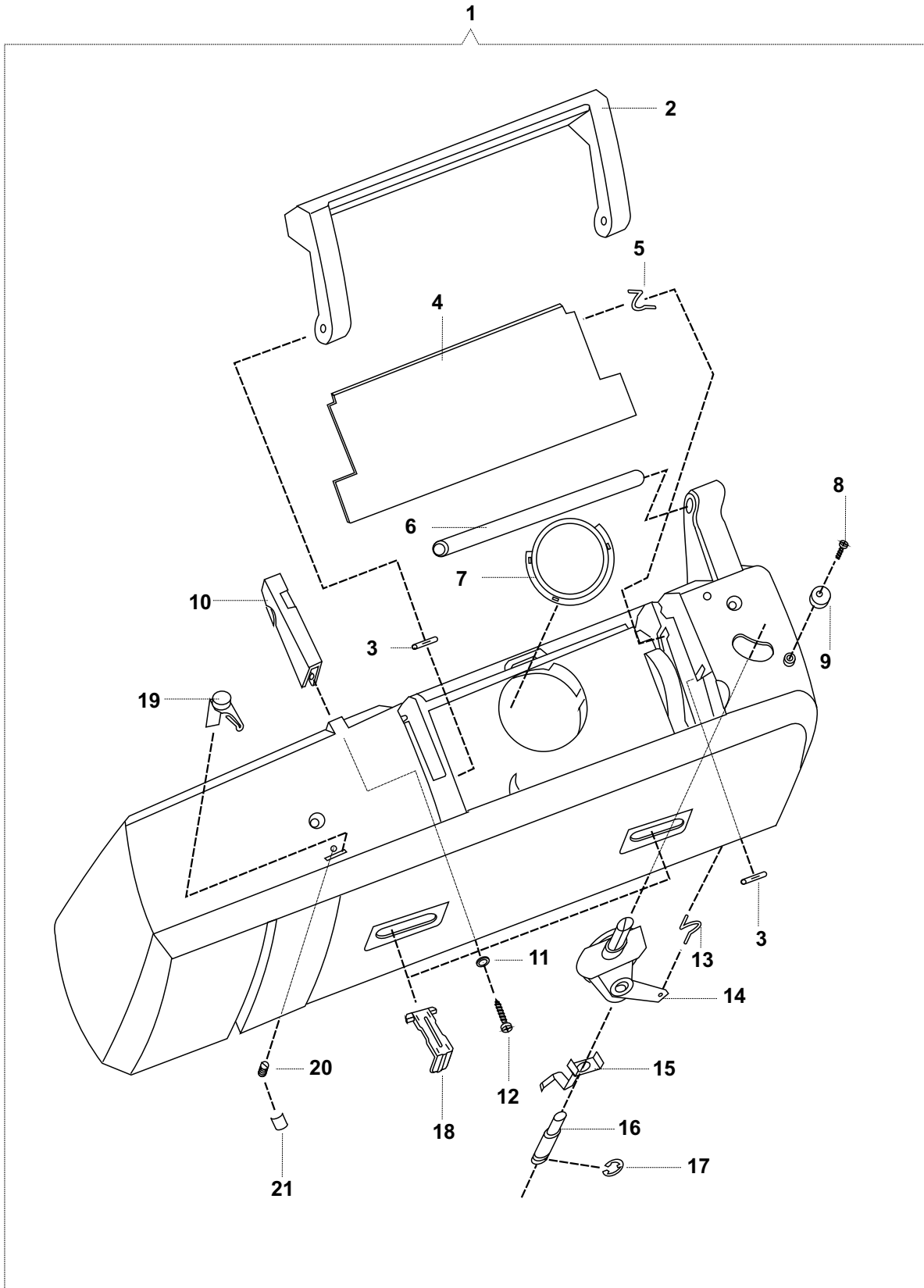
9855 / 9855-1

REF.	PARTS NUMBER	DESCRIPTION	9855/9855-1
01	358409xxx	Arm top cover, complete	•
02	358298900	Machine handle	•
03	357325900	Handle hinge pin	•
04	358297xxx	Arm top cover lid	•
05	357002000	Arm top cover lid spring	•
06	356758903BUY	Horizontal spool pin	•
07	358299900	Camstack inside cover	•
08	113375452	Bobbin winder stop screw	•
09	357718900BUY	Bobbin winder stop	•
10	357084451BUY	Thread guide	•
11	446138000	Thread guide washer	•
12	356116451	Thread guide screw	•
14	358331900	Bobbin winder spring	•
15	531767452	Bobbin winder assembly	•
16	358316900	Hand wheel desingaging driver	•
17	358328900	Bobbin winder hinge pin	•
18	445486000	Retaining ring	•
19	358311901	Lever knobs	•
20	356047000	Bobbin winder tensioner, complete	•
21	141936833	Tension bracket adjusting screw	•
22	44794000	Tension bracket adjusting screw retaining clip	•

When you need a part number with the suffix (xxx), please indicate the machine model where will be used.



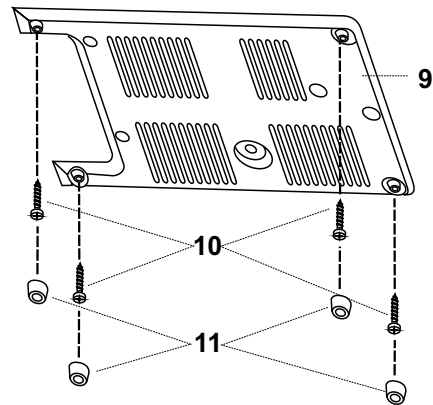
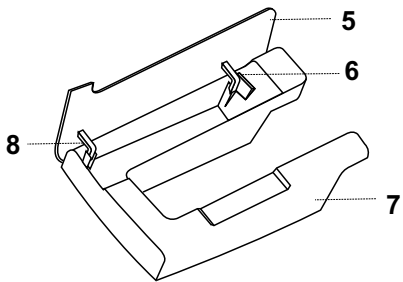
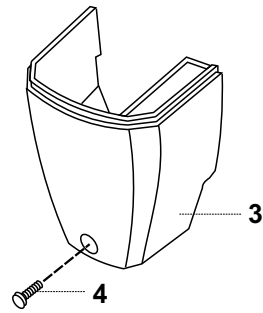
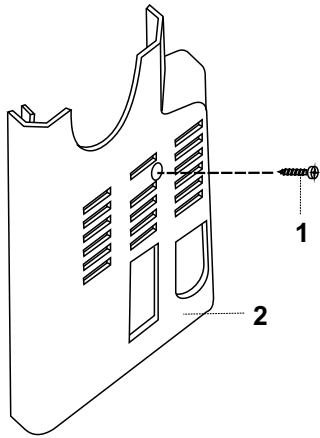
9858 / 9858-1



9852 / 9853-1
9850 / 9852-1

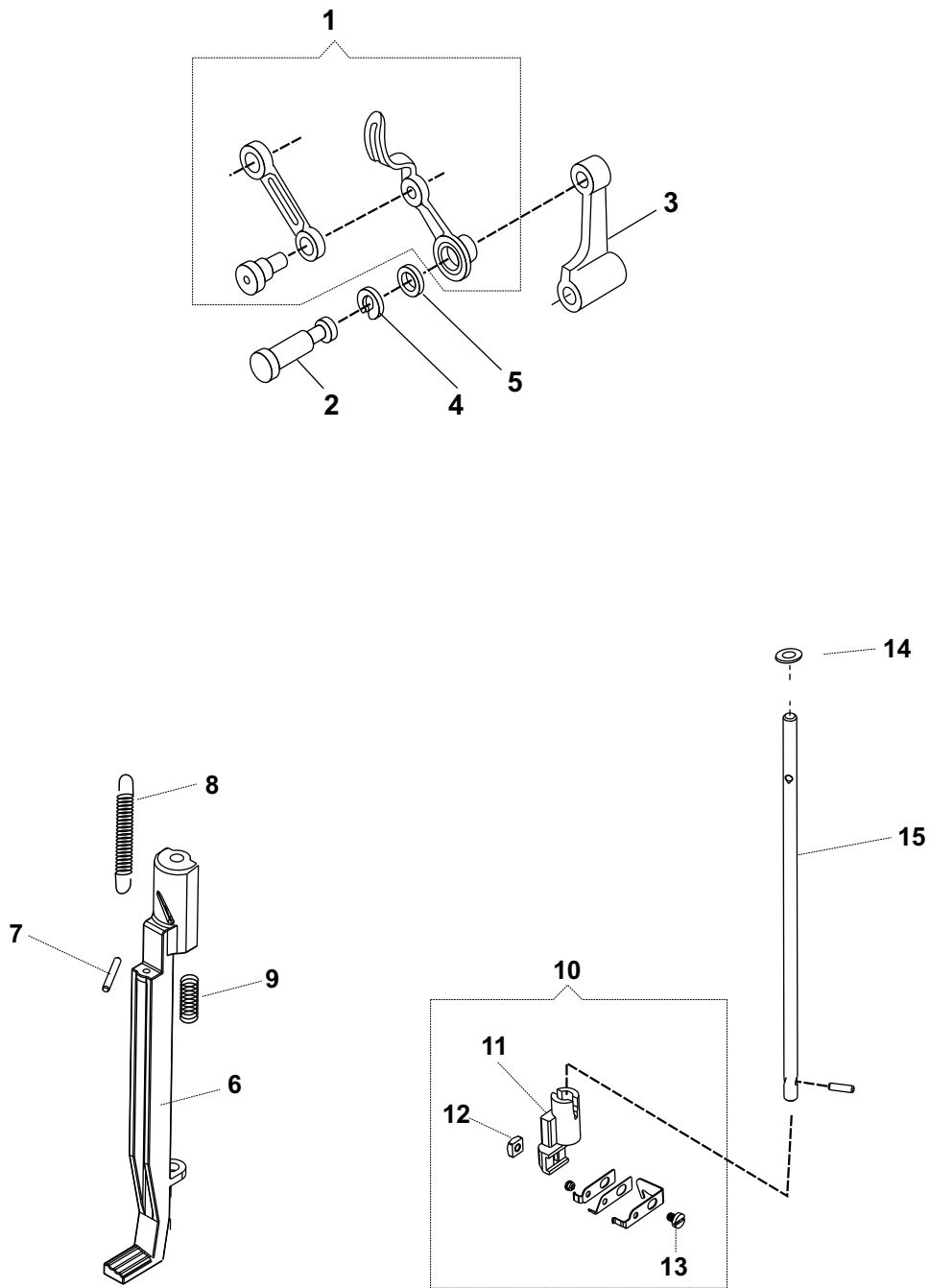
REF.	PARTS NUMBER	DESCRIPTION	9852/9853-1	9850/9852-1
01	358408xxx	Arm top cover, complete	●	●
02	358298900	Machine handle	●	●
03	357325900	Handle hinge pin	●	●
04	358297xxx	Arm top cover lid	●	●
05	357002000	Arm top cover lid spring	●	●
06	356758903BUY	Horizontal spool pin	●	●
07	358299900	Camstack inside cover	●	●
08	113375452	Bobbin winder stop screw	●	●
09	357718900BUY	Bobbin winder stop	●	●
10	357084451BUY	Thread guide	●	●
11	446138000	Thread guide washer	●	●
12	356116451	Thread guide screw	●	●
13	358331900	Bobbin winder spring	●	●
14	531767452	Bobbin winder assembly	●	●
15	358316900	Hand wheel desingaging driver	●	●
16	358328900	Bobbin winder hinge pin	●	●
17	445486000	Retaining ring	●	●
18	358311901	Lever knobs	●	●
19	356047000	Bobbin winder tensioner, complete	●	●
20	141936833	Tension bracket adjusting screw	●	●
21	44794000	Tension bracket adjusting screw retaining clip	●	●

When you need a part number with the suffix (xxx), please indicate the machine model where will be used.



REF.	PARTS NUMBER	DESCRIPTION	9876	9868	9860	9858	9855	9852	9850	9876-1	9868-1	9860-1	9858-1	9855-1	9853-1	9852-1
01	364063451	Arm end cover set screw	•	•	•	•	•	•	•	•	•	•	•	•	•	•
02	358296xxx	Arm end cover	•	•	•	•	•	•	•	•	•	•	•	•	•	•
03	358291xxx	Face plate	•	•	•	•	•	•	•	•	•	•	•	•	•	•
04	354133453	Face plate set screw	•	•	•	•	•	•	•	•	•	•	•	•	•	•
05	358293900	Bed extension lid	•	•	•	•	•	•	•							
06	357002000	Bed extension lid spring	•	•	•	•	•	•	•							
07	358294900	Bed extension	•	•	•	•	•	•	•							
08	359007900	Lid hinge	•	•	•	•	•	•	•							
09	358303900	Under bed cover	•	•	•	•	•	•	•							
09	357356000	Under bed cover								•	•	•	•	•	•	•
10	358422451	Under bed cover set screw	•	•	•	•	•	•	•	•	•	•	•	•	•	•
11	357797451	Under bed cover cushion	•	•	•	•	•	•	•	•	•	•	•	•	•	•

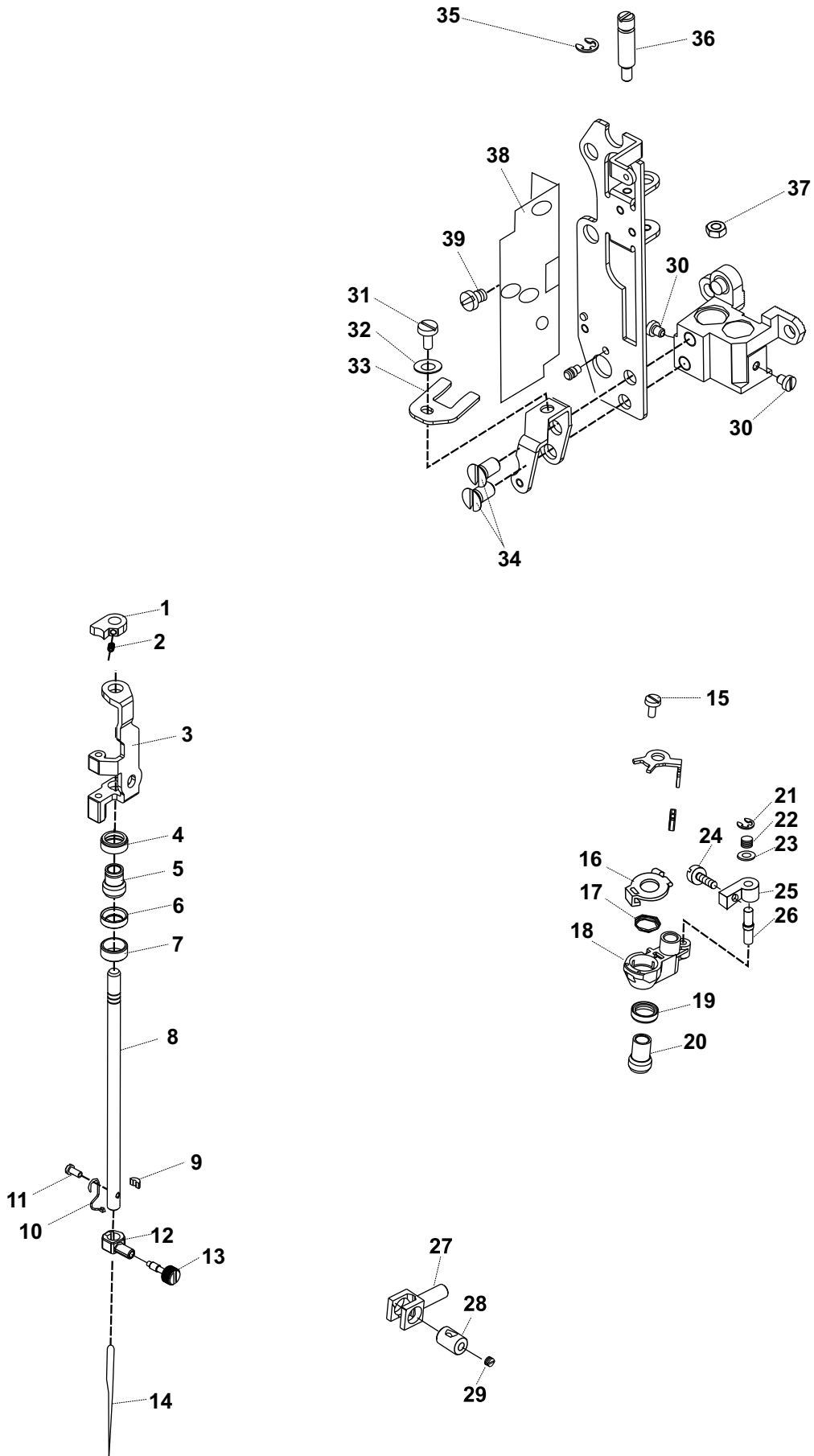
When you need a part number with the suffix (xxx), please indicate the machine model where will be used.



THREAD TAKE-UP MECHANISM & AUTOMATIC NEEDLE THREADER

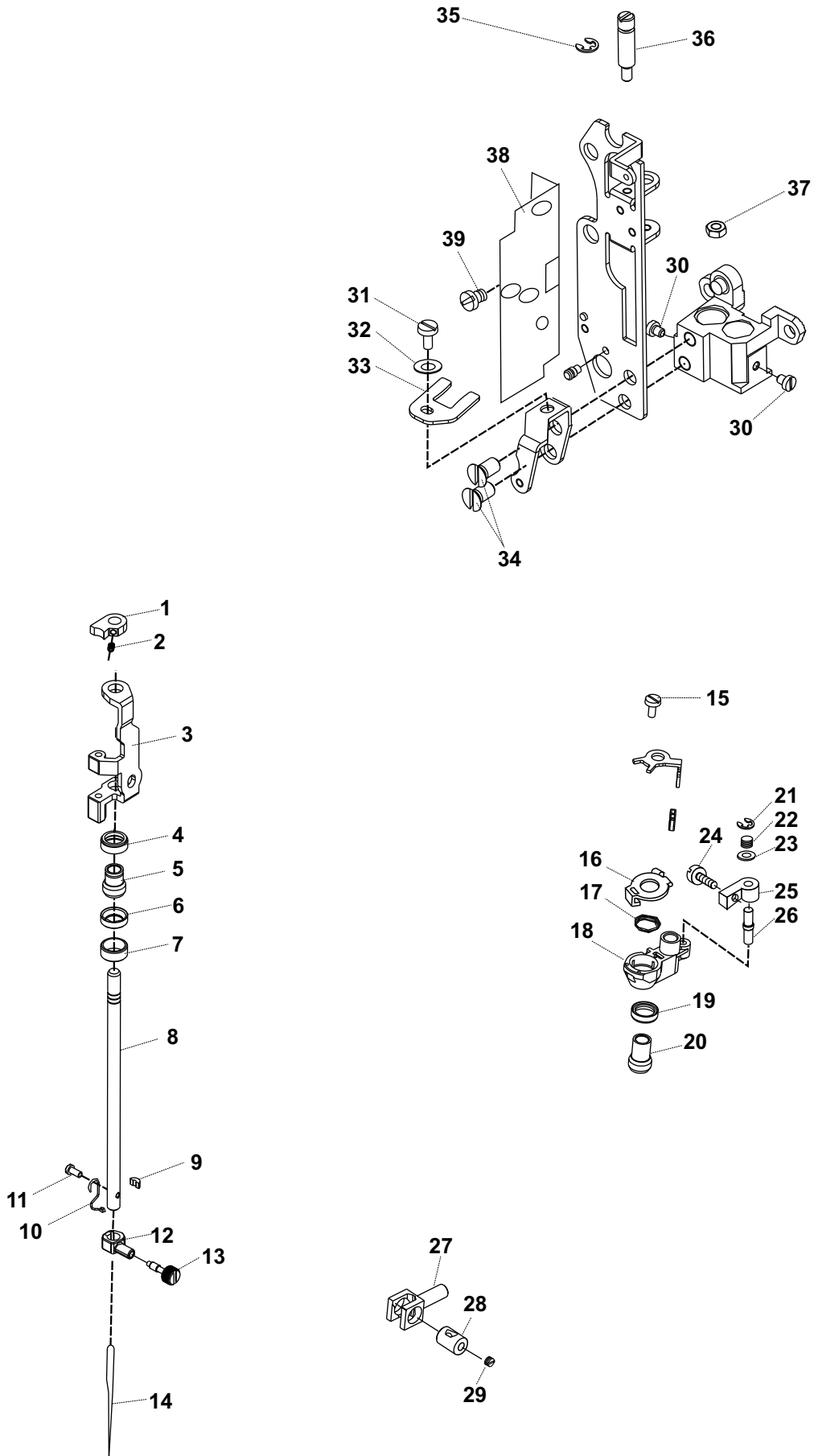
REF.	PARTS NUMBER	DESCRIPTION	9876/9876-1	9868/9868-1	9860/9860-1	9858/9858-1	9855/9855-1	9852/9853-1	9850/9852-1
01	445672000	Take-up lever sub-assembly	•	•	•	•	•	•	•
02	358275000	Thread take-up stud	•	•	•	•	•	•	•
03	357431900	Needle bar cranck	•	•	•	•	•	•	•
04	445486000	Retaining ring	•	•	•	•	•	•	•
05	445658900	Take-up stud washer	•	•	•	•	•	•	•
06	357872001	Needle threader adjusting support	•	•	•				
07	357869900	Needle threader adjusting support pin	•	•	•				
08	357913900	Needle threader adjusting support spring	•	•	•				
09	357912900	Needle threader adjusting support cam spring	•	•	•				
10	358071000	Needle threader assembly support, complete	•	•	•				
11	357873900	Needle threader assembly support	•	•	•				
12	357923900	Set screw nut	•	•	•				
13	357922900	Needle threader screw	•	•	•				
14	357920900	Rubber ring	•	•	•				
15	357865900	Needle threader shaft	•	•	•				

When you need a part number with the suffix (xxx), please indicate the machine model where will be used.



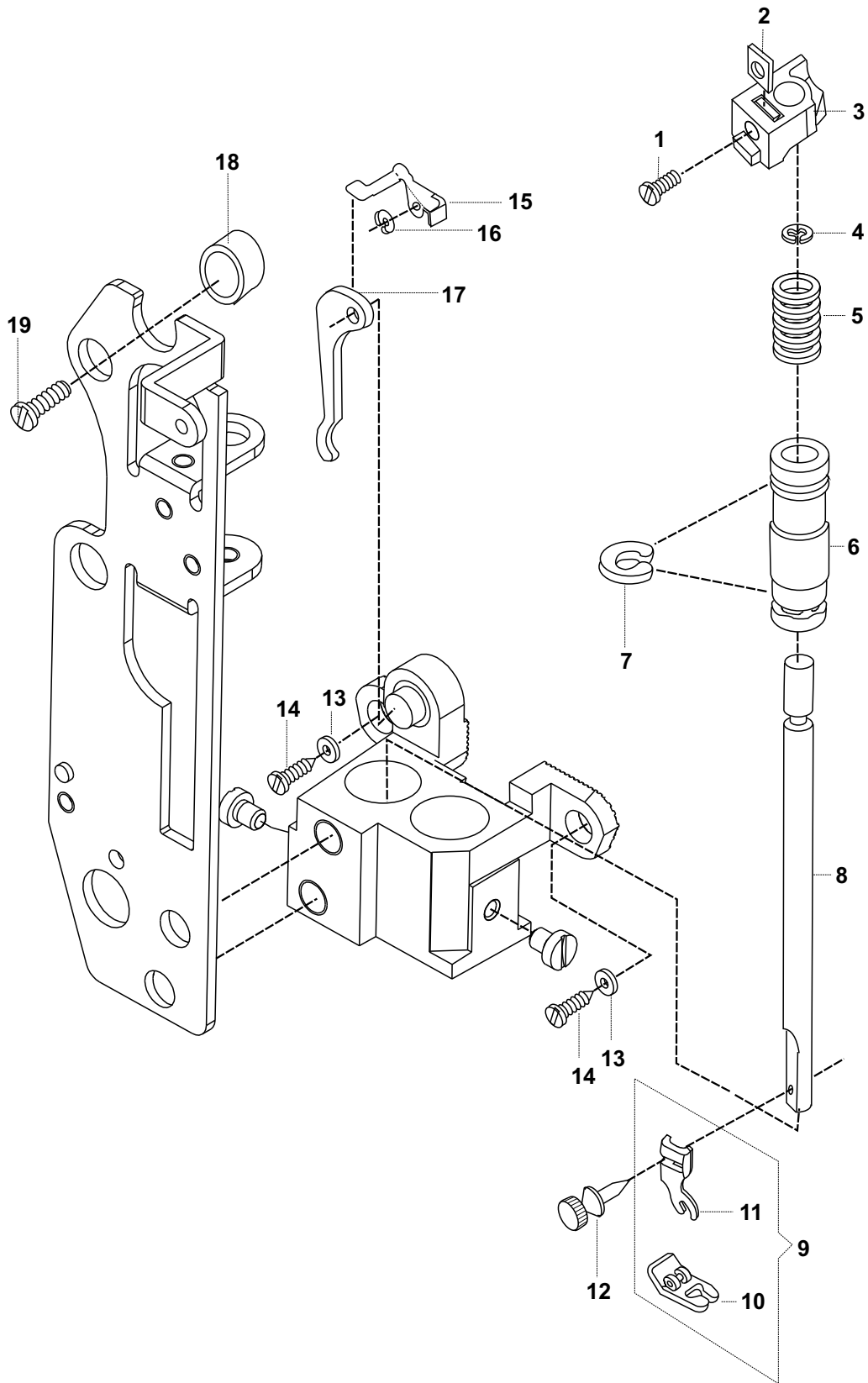
REF.	PARTS NUMBER	DESCRIPTION	9876/9876-1	9868/9868-1	9860/9860-1	9858/9858-1	9855/9855-1	9852/9853-1	9850/9852-1
01	357895900	Needle threader stop	•						
02	357921900	Needle threader stop screw	•						
03	357870900	Needle threader mechanism support	•						
04	357898901	Needle bar ball bushing (lower) socket	•	•	•	•	•	•	•
05	357899901	Lower ball bushing	•						
05	446355001	Lower ball bushing		•	•	•	•	•	•
06	357981900	Lower ball bushing collar	•						
06	357615000BUY	Lower ball bushing collar		•	•	•	•	•	•
07	446361001	Adjusting collar	•	•	•	•	•	•	•
08	357866900	Needle bar	•						
08	445793000	Needle bar		•	•	•	•	•	•
09	37943000	Needle bar gib	•	•	•	•	•	•	•
10	357421001	Thread guide	•	•	•	•	•	•	•
11	141920455	Thread guide screw	•	•	•	•	•	•	•
12	357429001	Needle clamp body	•	•	•	•	•	•	•
13	355248451	Needle clamp body screw	•	•	•	•	•	•	•
14	204514100	Needle # 2045 - NBR14	•	•	•	•	•	•	•
15	354133453	Needle bar screw	•	•	•				
16	357871900	Vibrating bracket cover	•	•	•	•	•	•	•
17	357911900	Vibrating bracket cover spring	•	•	•	•	•	•	•
18	353521000	Vibrating bracket, complete	•	•	•	•	•	•	•
19	357615000	Upper ball bushing retainer	•	•	•	•	•	•	•
20	357897900	Upper ball bushing	•	•	•				
20	446355001	Upper ball bushing				•	•	•	•
21	179926000	Retaining ring	•	•	•	•	•	•	•
22	357504000	Needle bar driving arm hinge bracket spring	•	•	•	•	•	•	•
23	356830001	Support washer	•	•	•	•	•	•	•
24	354826451	Support screw	•	•	•	•	•	•	•
25	357503000	Needle bar driving arm hinge bracket	•	•	•	•	•	•	•
26	357502000	Support pin	•	•	•	•	•	•	•

When you need a part number with the suffix (xxx), please indicate the machine model where will be used.



REF.	PARTS NUMBER	DESCRIPTION	9876/9876-1	9868/9868-1	9860/9860-1	9858/9858-1	9855/9855-1	9852/9853-1	9850/9852-1
27	353549000	Needle bar connecting stud	●	●	●	●	●	●	●
28	37931000	Hinge pin	●	●	●	●	●	●	●
29	141916833	Needle bar clamping screw	●	●	●	●	●	●	●
30	354592451	Lower bushing collar screw	●	●	●	●	●	●	●
31	354592451	Support guide plate screw	●	●	●				
32	358162900	Washer	●	●	●				
33	358091900	Needle threader support guide plate	●	●	●				
34	113480451	Mounting screw	●	●	●	●	●	●	●
35	445721000	Retaining ring	●	●	●	●	●	●	●
36	446359000	Needle bar vibrating bracket pin	●	●	●	●	●	●	●
37	357093451	Nut	●	●	●	●	●	●	●
38	358151900	Deflecting plate	●	●	●				
38	179901000	Deflecting plate				●	●	●	●
39	354592451	Deflecting plate screw	●	●	●	●	●	●	●

PRESSER BAR

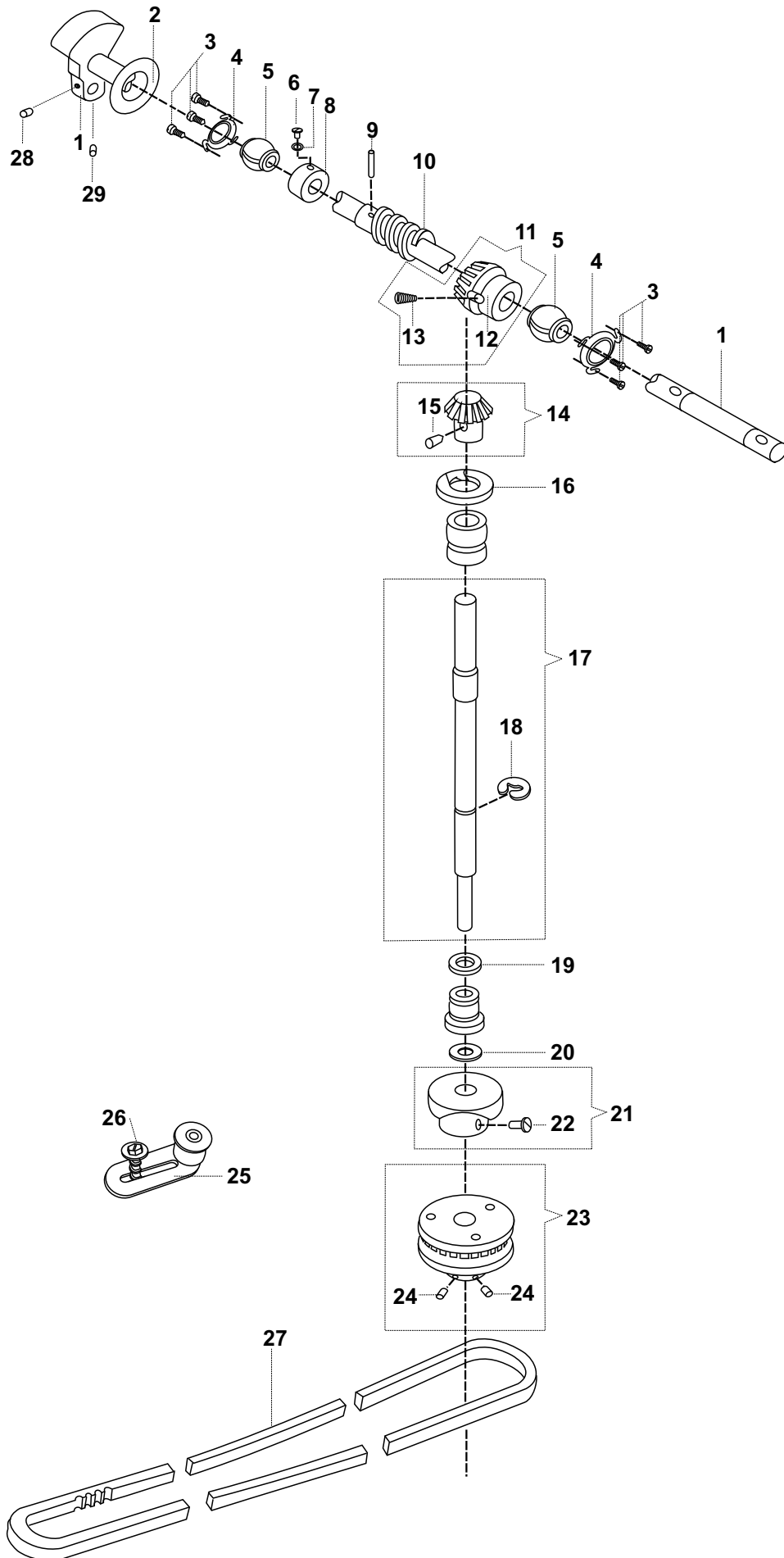


PRESSER BAR

REF.	PARTS NUMBER	DESCRIPTION	9876/9876-1	9868/9868-1	9860/9860-1	9858/9858-1	9855/9855-1	9852/9853-1	9850/9852-1
01	355279451	Presser bar support screw	•	•	•	•	•	•	•
02	353367451	Presser bar support nut	•	•	•	•	•	•	•
03	357357000	Presser bar support	•	•	•	•	•	•	•
04	353215000	Retaining ring	•	•	•	•	•	•	•
05	357362000	Presser bar spring	•	•	•	•	•	•	•
06	445947002	Presser bar bushing	•	•	•	•	•	•	•
07	357604000	Retaining ring	•	•	•	•	•	•	•
08	357602000	Presser bar	•	•	•	•	•	•	•
09	446372000	Presser foot for zig-zag, complete	•	•	•	•	•	•	•
10	446371000	Presser foot for zig-zag sewing	•	•	•	•	•	•	•
11	155964000	Presser foot shank	•	•	•	•	•	•	•
12	354135452	Presser foot thumb screw	•	•	•	•	•	•	•
13	353375451	Vibrating bracket housing mounting washer	•	•	•	•	•	•	•
14	113434451	Vibrating bracket housing mounting screw	•	•	•	•	•	•	•
15	445925000	Tension releasing lever	•	•	•	•	•	•	•
16	445486000	Retaining ring	•	•	•	•	•	•	•
17	356170451	Presser bar lifter	•	•	•	•	•	•	•
18	531627000	Vibrating bracket plate bushing	•	•	•	•	•	•	•
19	113455009	Presser bar support bracket screw	•	•	•	•	•	•	•

When you need a part number with the suffix (xxx), please indicate the machine model where will be used.

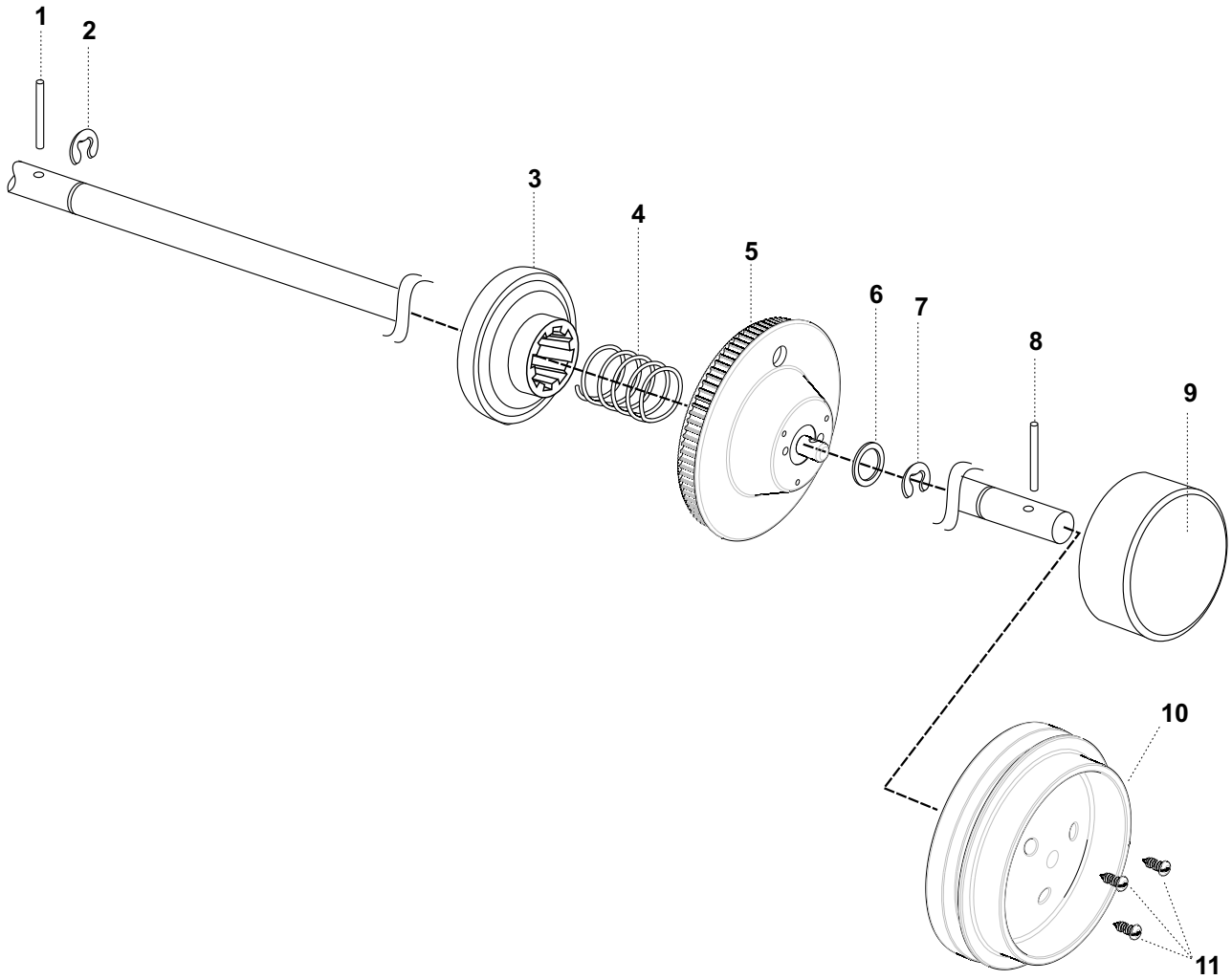
ARM SHAFT DRIVER



REF.	PARTS NUMBER	DESCRIPTION	9876/9876-1	9868/9868-1	9860/9860-1	9858/9858-1	9855/9855-1	9852/9853-1	9850/9852-1
01	358330901	Arm shaft	•	•	•	•	•	•	•
02	319764001	Flat washer	•	•	•	•	•	•	•
03	113455001	Screw 4,2 x 15	•	•	•	•	•	•	•
04	446385000	Bushing bracket	•	•	•	•	•	•	•
05	446384001	Ball bushing	•	•	•	•	•	•	•
06	358343452	Collar set screw	•	•	•	•	•	•	•
07	358372451	Collar washer	•	•	•	•	•	•	•
08	358439900	Collar	•	•	•	•	•	•	•
09	358341004	Spindle pin	•	•	•	•	•	•	•
10	358337900	Spindle	•	•	•	•	•	•	•
11	358371000	Horizontal spiral gear assembly	•	•	•	•	•	•	•
12	358371900	Horizontal spiral gear	•	•	•	•	•	•	•
13	358484459	Horizontal spiral gear screw	•	•	•	•	•	•	•
14	358429000	Vertical spiral gear	•	•	•	•	•	•	•
15	354105833	Vertical spiral gear screw	•	•	•	•	•	•	•
16	356819000	Felt washer	•	•	•	•	•	•	•
17	179952002BUY	Vertical shaft with ring	•	•	•	•	•	•	•
18	353215000	Retaining ring	•	•	•	•	•	•	•
19	353394000BUY	Flat washer	•	•	•	•	•	•	•
20	319826000	Flat washer	•	•	•	•	•	•	•
21	446228000	Feed lifter cam assembly	•	•	•	•	•	•	•
22	544118000	Feed lifter cam screw	•	•	•	•	•	•	•
23	353438001	Vertical shaft pulley, complete	•	•	•	•	•	•	•
24	354906451	Pulley screw	•	•	•	•	•	•	•
25	358224001	Drive belt tension adjusting assembly	•	•	•	•	•	•	•
26	358287451	Tension adjusting screw	•	•	•	•	•	•	•
27	446237000	Hook driving belt	•	•	•	•	•	•	•
28	354105-833	Needle Bar Crank Position Set Screw	•	•	•	•	•	•	•
29	141916-833	Needle Bar Crank Stud Mounting Screw	•	•	•	•	•	•	•

When you need a part number with the suffix (xxx), please indicate the machine model where will be used.

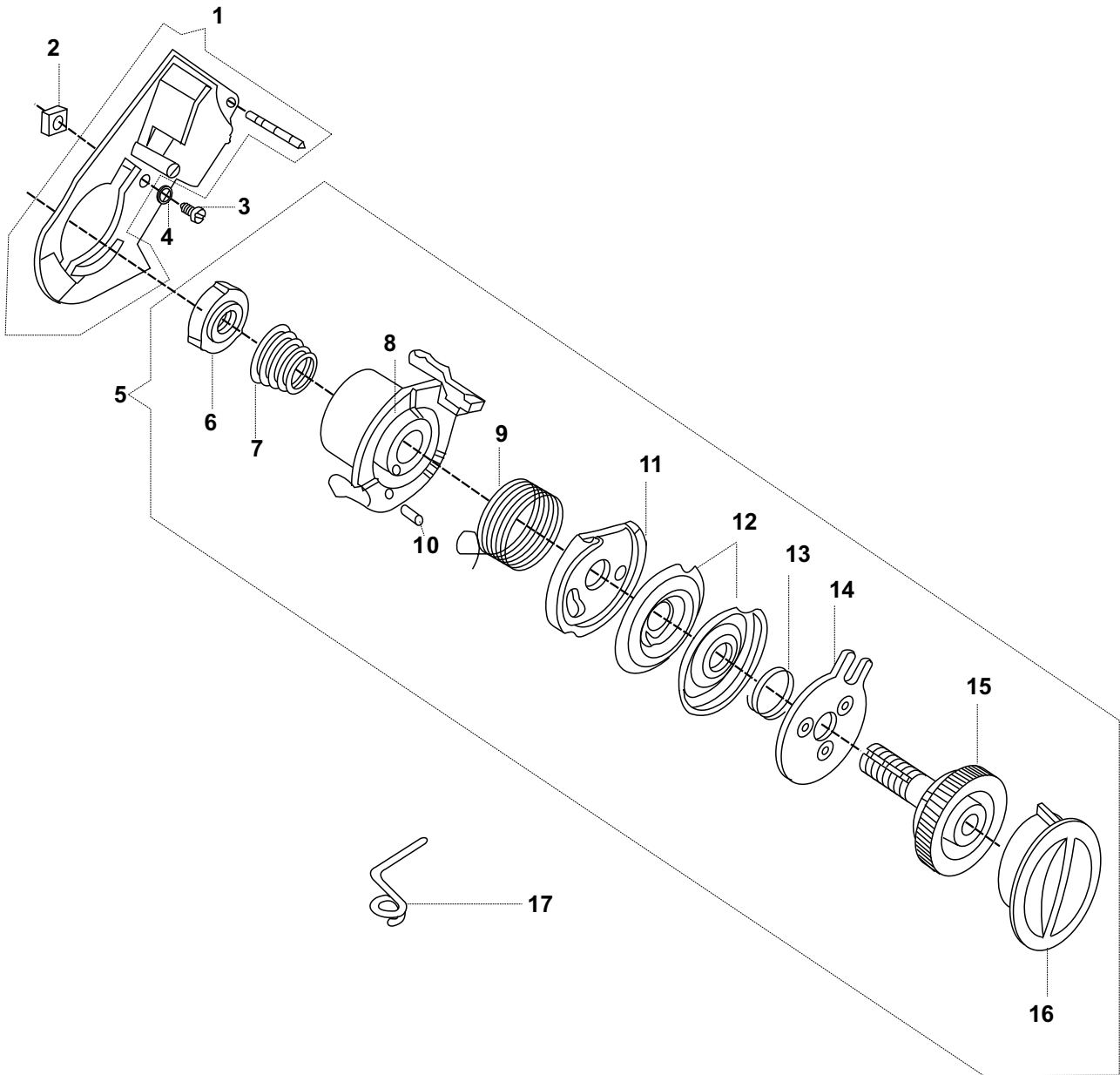
HAND WHEEL



REF.	PARTS NUMBER	DESCRIPTION	9876/9876-1	9868/9868-1	9860/9860-1	9858/9858-1	9855/9855-1	9852/9853-1	9850/9852-1
01	358344900	Fixing pin	•	•	•	•	•	•	•
02	445486000	Retaining ring	•	•	•	•	•	•	•
03	358306900	Disengaging gear	•	•	•	•	•	•	•
04	358333900	Spring	•	•	•	•	•	•	•
05	358305900	Hand wheel gear	•	•	•	•	•	•	•
06	353453000BUY	Washer	•	•	•	•	•	•	•
07	353215000	Retaining ring	•	•	•	•	•	•	•
08	358341001	Fixing pin (only use to machines without "V")	•	•	•	•	•	•	•
09	358304901	Hand wheel	•	•	•	•	•	•	•
10	358497-900	Hand wheel (only use to machines with "v")	•						
11	113375-452	Hand wheel screw (only use to machines with "v")	•						

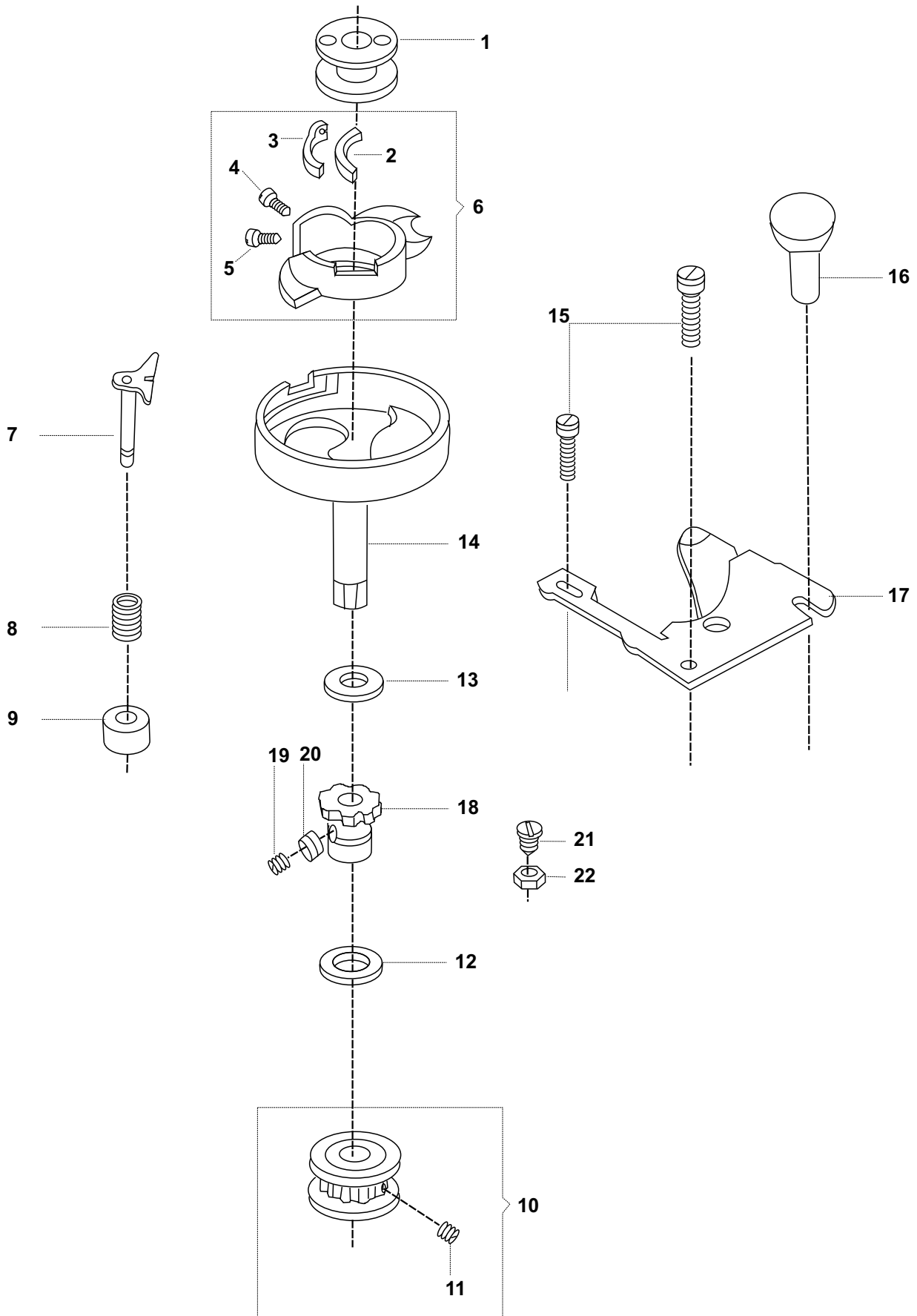
When you need a part number with the suffix (xxx), please indicate the machine model where will be used.

TENSION MECHANISM



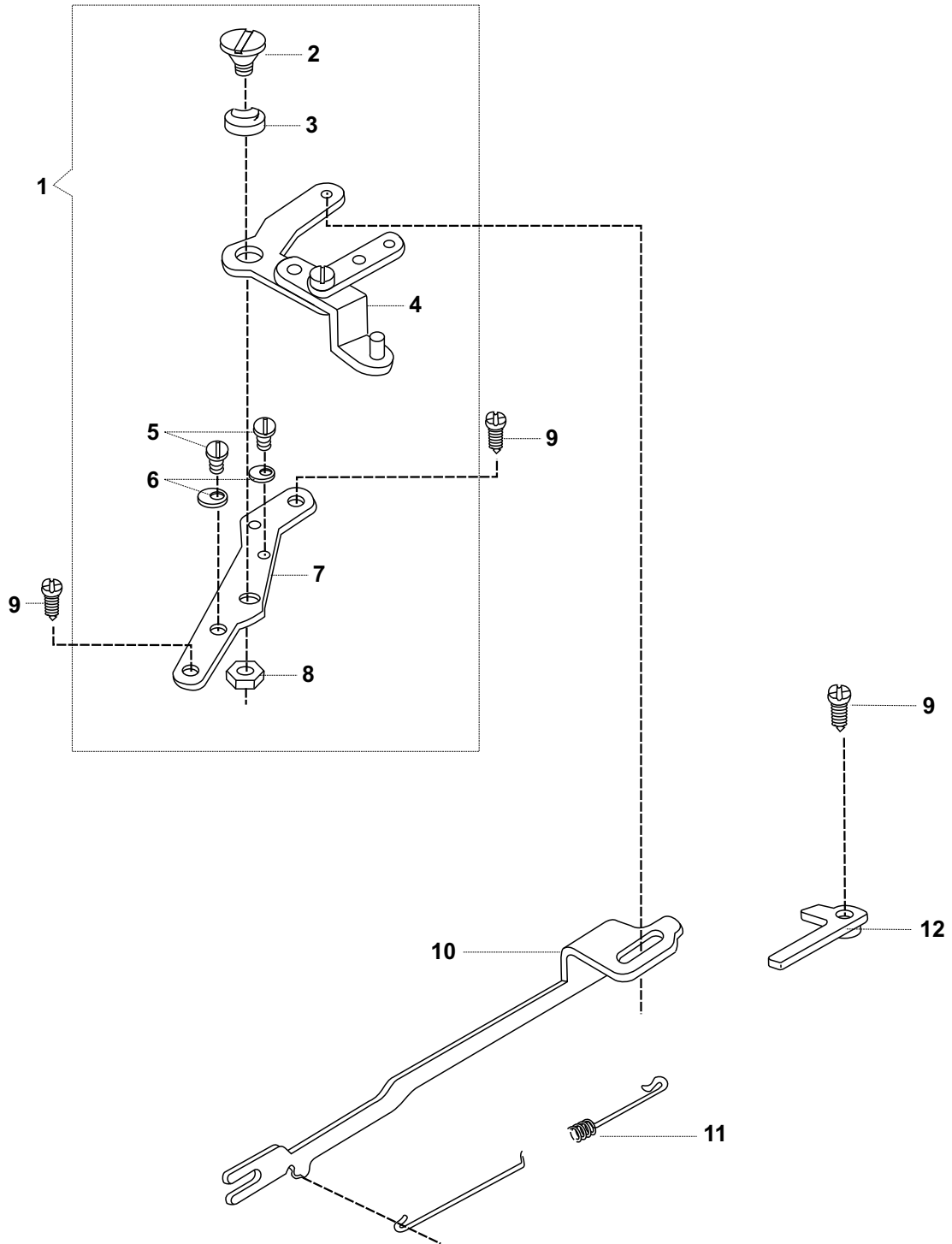
REF.	PARTS NUMBER	DESCRIPTION	9876/9876-1	9868/9868-1	9860/9860-1	9858/9858-1	9855/9855-1	9852/9853-1	9850/9852-1
01	356040452	Tension mechanismsrouder assembly	•	•	•	•	•	•	•
02	514698451	Fixing nut	•	•	•	•	•	•	•
03	141808457	Shrouder screw	•	•	•	•	•	•	•
04	356443000	Washer	•	•	•	•	•	•	•
05	356088457	Tension mechanism assembly	•	•	•	•	•	•	•
06	356095000	Tension stud nut	•	•	•	•	•	•	•
07	356096000	Tension spring	•	•	•	•	•	•	•
08	356089000	Tension mechanismsupport	•	•	•	•	•	•	•
09	356097000	Thread take-up spring	•	•	•	•	•	•	•
10	356246900	Tension mechanismsupport pin	•	•	•	•	•	•	•
11	356091000	Thread guard	•	•	•	•	•	•	•
12	356094000	Tension disc	•	•	•	•	•	•	•
13	358123900	Tension disc spring	•	•	•	•	•	•	•
14	358124900	Tension disc pressure plate	•	•	•	•	•	•	•
15	356092451	Tension indicator with stud	•	•	•	•	•	•	•
16	358310xxx	Tension indicator dial	•	•	•	•	•	•	•
17	445784000	Thread guide	•	•	•	•	•	•	•

When you need a part number with the suffix (xxx), please indicate the machine model where will be used.



REF.	PARTS NUMBER	DESCRIPTION	9876/9876-1	9868/9868-1	9860/9860-1	9858/9858-1	9855/9855-1	9852/9853-1	9850/9852-1
01	172336000BUY	Bobbin	•	•	•	•	•	•	•
02	356490451	Bobbin case tension spring segment	•	•	•	•	•	•	•
03	314715000	Bobbin case tension spring	•	•	•	•	•	•	•
04	355254451	Regulating screw	•	•	•	•	•	•	•
05	139975452	Tension spring segment screw	•	•	•	•	•	•	•
06	421325000	Bobbin case complete	•	•	•	•	•	•	•
07	358021000	Bobbin case retaining	•	•	•	•	•	•	•
08	358018900	Reitaning spring	•	•	•	•	•	•	•
09	358019900	Retaining plate retaining ring	•	•	•	•	•	•	•
10	446235000	Hook belt drive pulley assembly	•	•	•	•	•	•	•
11	141803451	Pulley screw	•	•	•	•	•	•	•
12	382861906	Pulley washer	•	•	•	•	•	•	•
13	353453000BUY	Pulley washer	•	•	•	•	•	•	•
14	353366000	Hook	•	•	•	•	•	•	•
15	354917451	Position plate screw	•	•	•	•	•	•	•
16	357349451BUY	Position plate stud	•	•	•	•	•	•	•
17	44873001	Position plate	•	•	•	•	•	•	•
18	353410900	Rotating hook bushing	•	•	•	•	•	•	•
19	141938833	Set screw	•	•	•	•	•	•	•
20	353367451	Set screw nut	•	•	•	•	•	•	•
21	141844451	Rotating hook bushing adjusting screw	•	•	•	•	•	•	•
22	618638005	Screw nut	•	•	•	•	•	•	•

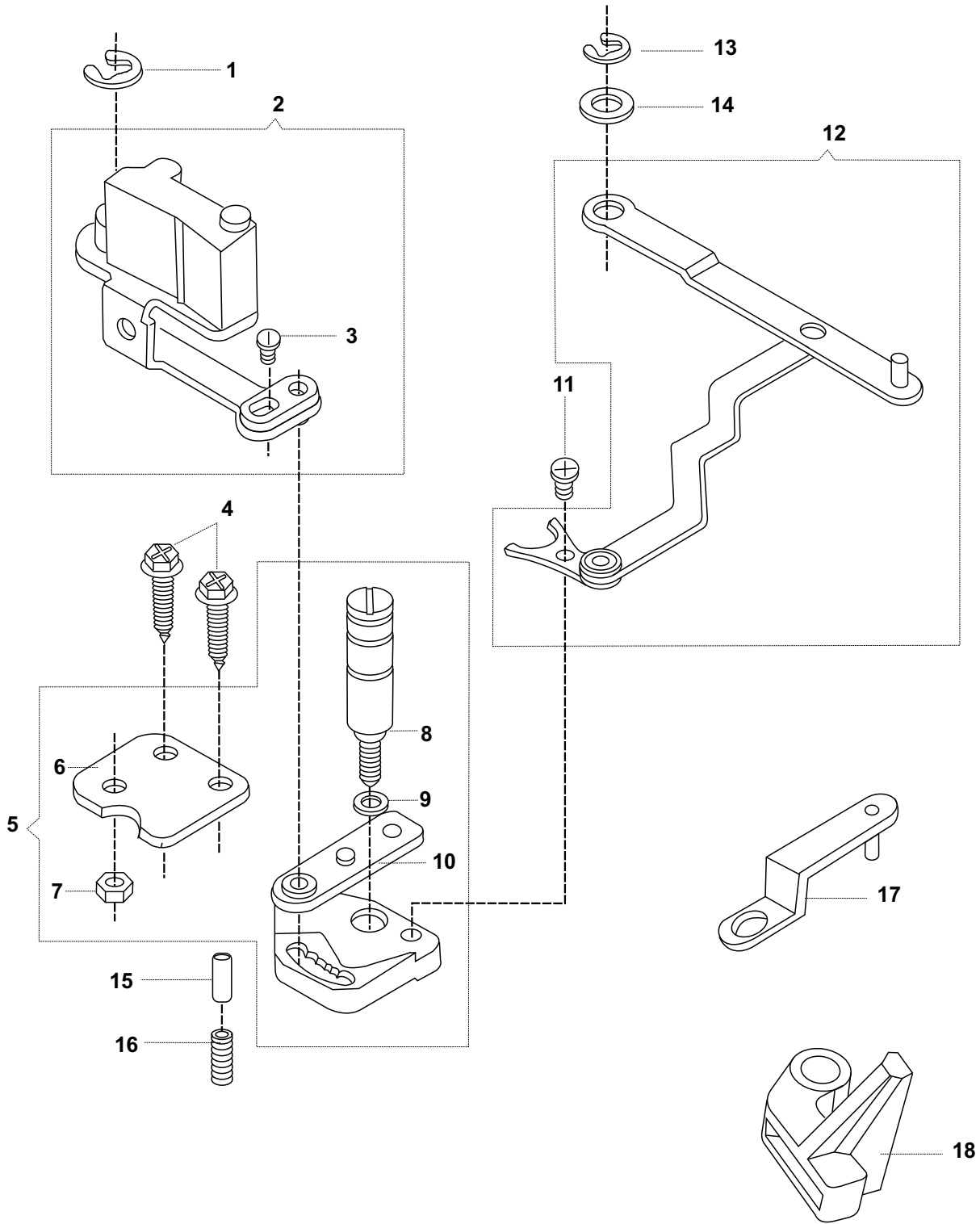
When you need a part number with the suffix (xxx), please indicate the machine model where will be used.



REF.	PARTS NUMBER	DESCRIPTION	9876/9876-1	9868/9868-1	9860/9860-1	9858/9858-1	9855/9855-1	9852/9852-1	9850/9852-1
01	358352000	Bight amplitude control lever, complete	•	•	•	•	•		
01	358355000	Bight amplitude control lever, complete						•	•
02	354825451	Bight amplitude control lever screw	•	•	•	•	•	•	•
03	49204000	Bight amplitude control lever washer	•	•	•	•	•	•	•
04	358354000	Bight amplitude control lever	•	•	•	•	•		
05	141913451	Lever link stop screw	•	•	•	•	•	•	•
06	446904000	Lever link stop	•	•	•	•	•	•	•
07	531793000	Lever link	•	•	•	•	•	•	•
08	54591451	Nut	•	•	•	•	•	•	•
09	113455001	Screw	•	•	•	•	•	•	•
10	37933002	Needle bar driving arm	•	•	•	•	•	•	•
11	37942000	Needle bar driving arm tension spring	•	•	•	•	•	•	•
12	445780000	Light cord clamp	•	•	•	•	•	•	•

When you need a part number with the suffix (xxx), please indicate the machine model where will be used.

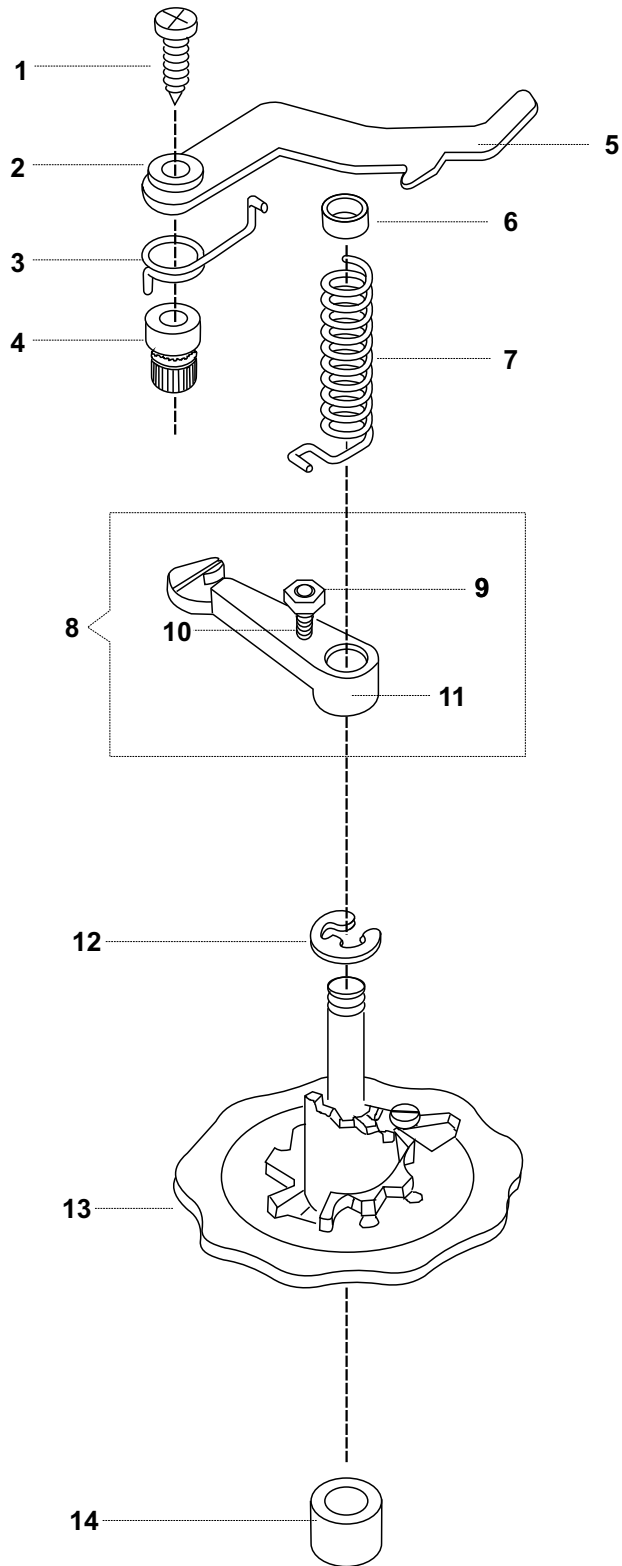
NEEDLE POSITION



NEEDLE POSITION

REF.	PARTS NUMBER	DESCRIPTION	9876/9876-1	9868/9868-1	9860/9860-1	9858/9858-1	9855/9855-1	9852/9853-1	9850/9852-1
01	445721000	Retaining ring	•	•	•		•	•	•
02	356735001	Slide bracket lever, complete	•	•	•				
02	356636001	Slide bracket lever, complete						•	•
03	141913451	Lever screw	•	•	•		•	•	•
04	113455001	Adjusting plate screw	•	•	•	•	•	•	•
05	356838000	Selector lever adjusting plate assembly	•	•	•		•		
05	358412000	Selector lever adjusting plate assembly						•	•
06	446401000	Selector lever adjusting plate	•	•	•	•	•	•	•
07	54591451	Adjusting plate screw nut	•	•	•	•	•	•	•
08	357089000	Disc follower stud	•	•	•	•			
09	353585000	Disc follower stud collar	•	•	•	•			
10	44556000	Cam follower lever extension	•	•	•				
11	141916451	Selector lever screw	•	•	•		•	•	•
12	358357000	Needle position selector lever, complete	•	•	•		•	•	•
13	445486000	Retaining ring	•	•	•		•	•	•
14	49204000	lock washer	•	•	•		•	•	•
15	356228000	Lever bracket positioning pin	•	•	•		•	•	•
16	444800000	Pin spring	•	•	•		•	•	•
17	358281000	Needle bar driving arm guide				•			
18	358236900	Needle bar driving arm slide				•			

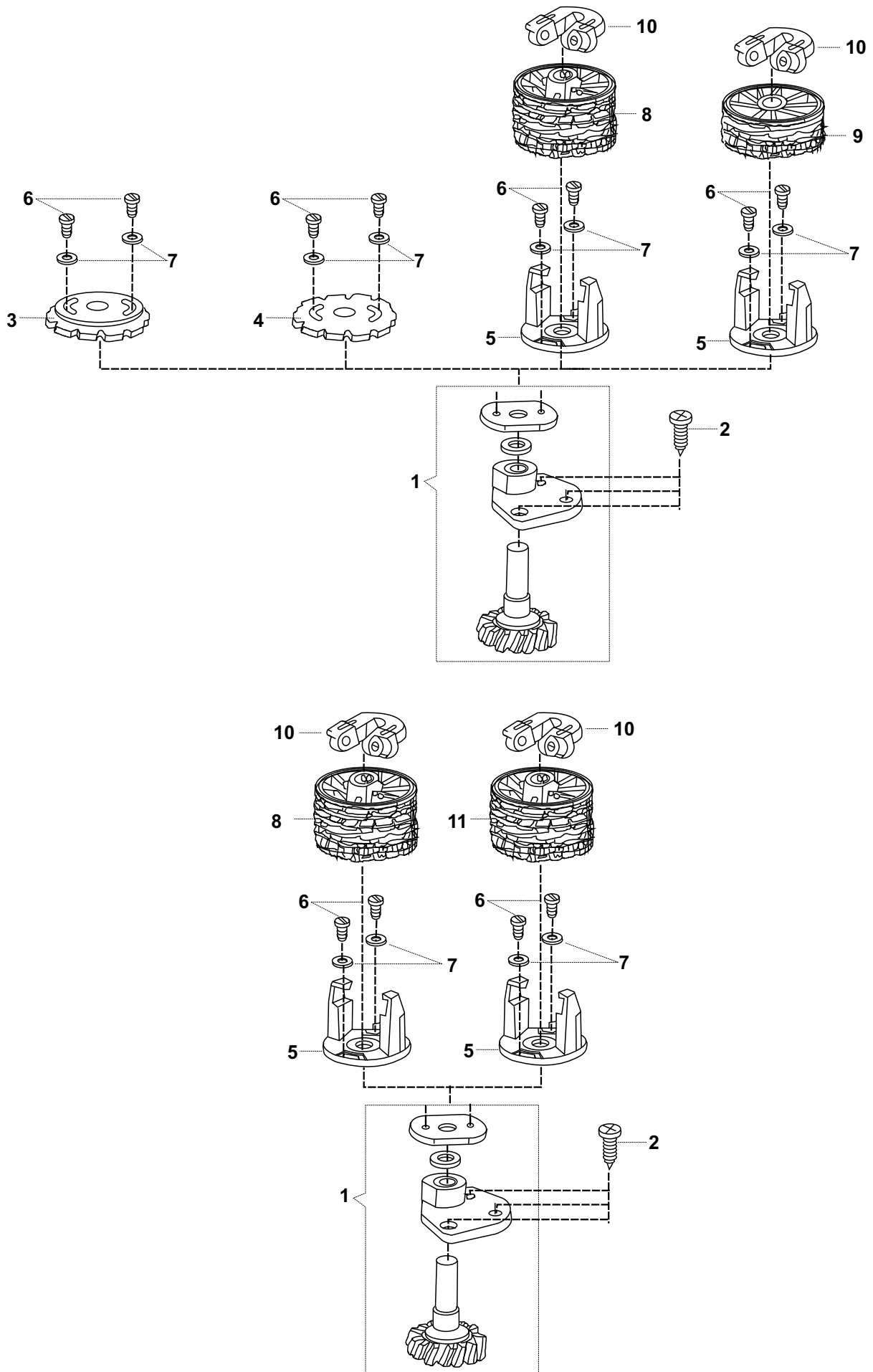
When you need a part number with the suffix (xxx), please indicate the machine model where will be used.



REF.	PARTS NUMBER	DESCRIPTION	9876/9876-1	9868/9868-1	9860/9860-1	9858/9858-1	9855/9855-1	9852/9853-1	9850/9852-1
01	354826451	Disc follower lever screw	•	•	•	•	•		
02	356751000	Disc follower lever bushing	•	•	•	•	•		
03	356752000	Disc follower disengaging lever spring	•	•	•	•	•		
04	357000000	Follower lever disengaging stud	•	•	•	•	•		
05	356750000	Follower lever	•	•	•	•	•		
06	353548000BUY	Spring retaining ring	•	•	•	•	•		
07	356768000	Disc follower spring	•	•	•	•	•		
08	356770000	Disc follower, complete	•	•	•	•	•		
09	531699451	Disc follower adjusting nut	•	•	•	•	•		
10	445341000	Disc follower adjusting screw stud	•	•	•	•	•		
11	356769901	Disc follower	•	•	•	•	•		
11	445646000	Disc follower						•	•
12	445486000	Retaining ring	•	•	•	•	•		
12	44371000	Retaining ring						•	•
13	356749454	Pattern selector cam/dial	•	•	•	•	•		
14	358252900	Pattern selector spacers	•	•	•	•	•		

When you need a part number with the suffix (xxx), please indicate the machine model where will be used.

P/N 358491002 MAR/05 37

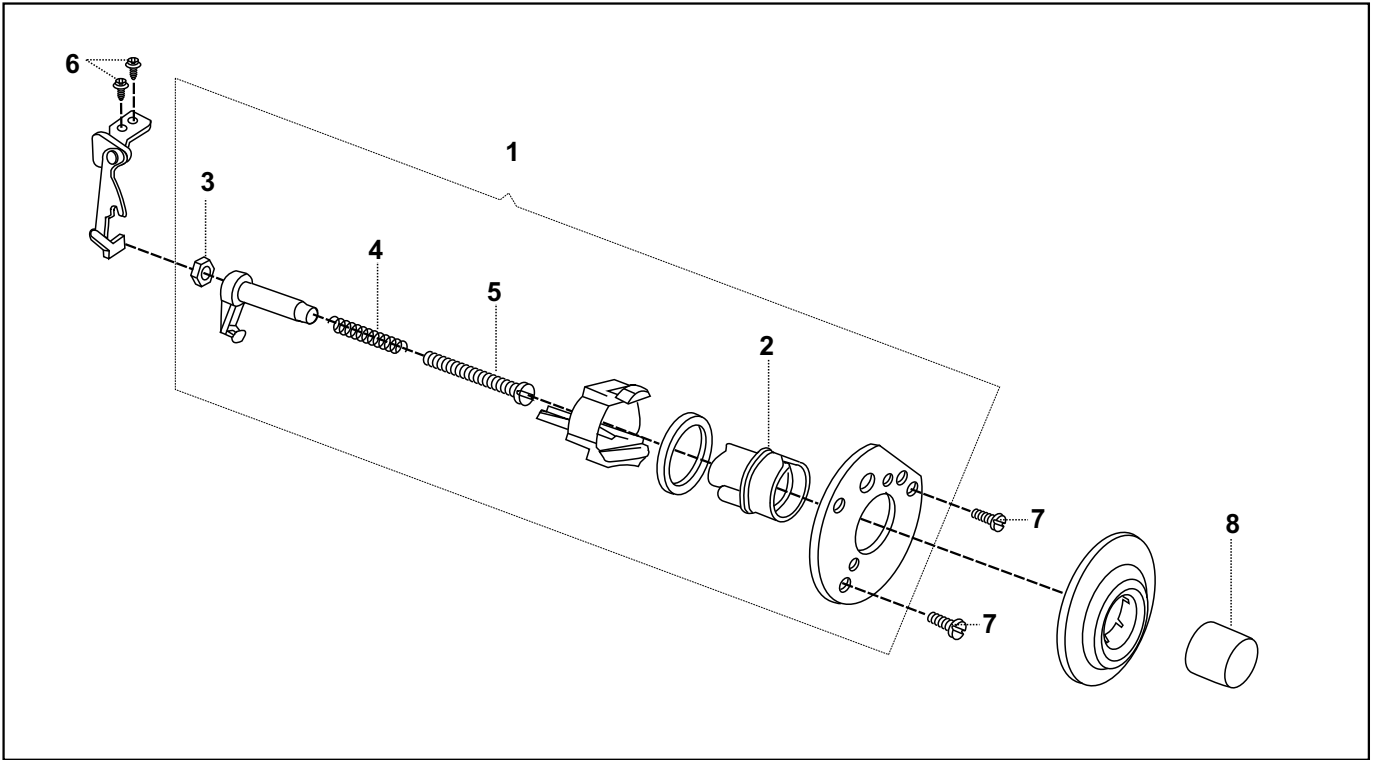


CAM STACK

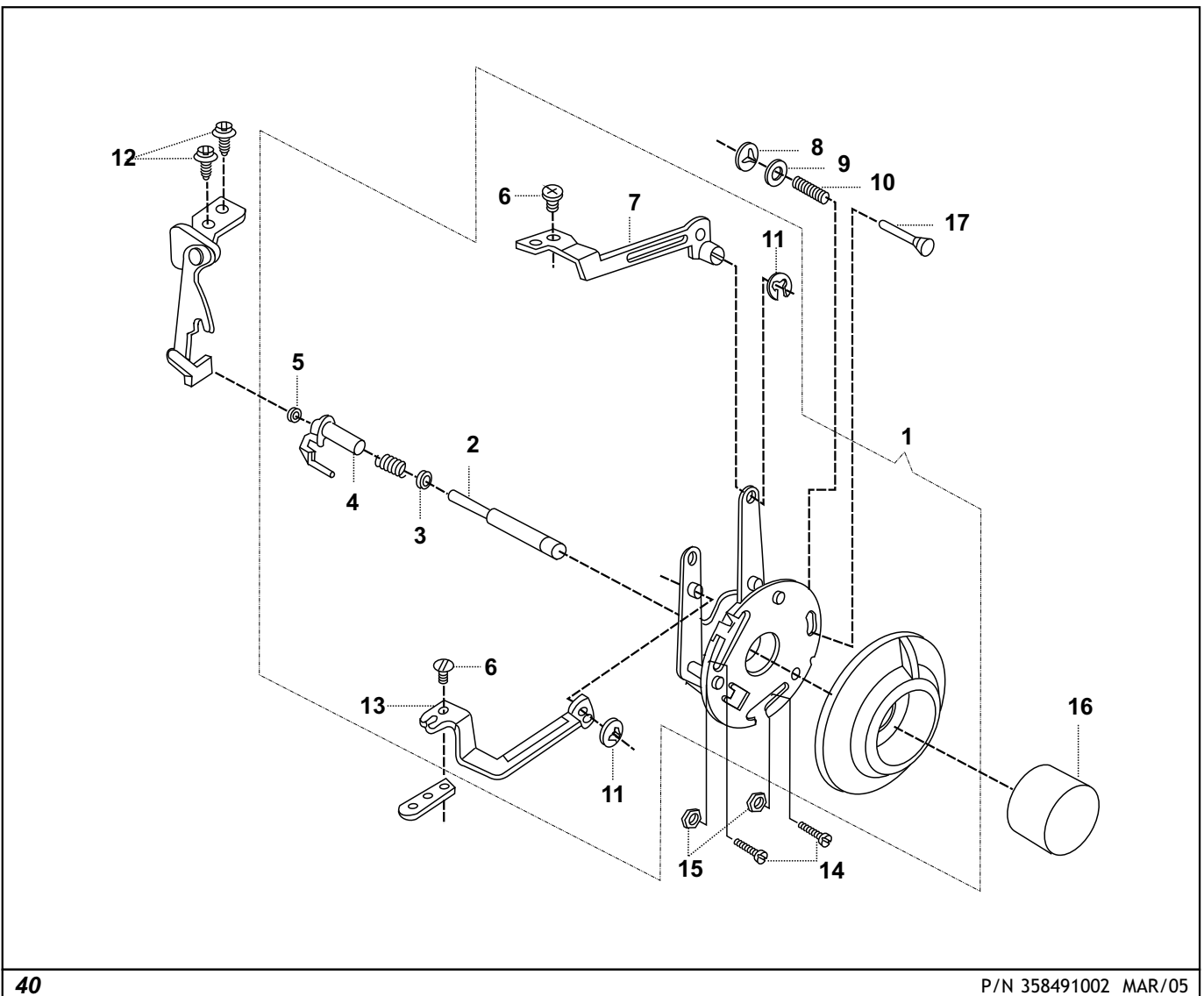
REF.	PARTS NUMBER	DESCRIPTION	9876/9876-1	9868/9868-1	9860/9860-1	9858/9858-1	9855/9855-1	9852/9853-1	9850/9852-1
01	356982001	Disc driving gear assembly	●	●	●	●	●	●	●
02	113455012	mounting screw	●	●	●	●	●	●	●
03	356995000BUY	Disc stack			●				
04	356999000BUY	Disc stack						●	●
05	356971000	Disc driving plate	●	●					
06	141920455	Plate screw	●	●	●	●	●	●	●
07	356830003	washer	●	●	●	●	●	●	●
08	356969000	Disc stack	●	●					
09	358240900	Disc stack				●			
10	356965451	Cam handle	●	●					
11	356970000BUY	Disc stack	●						

When you need a part number with the suffix (xxx), please indicate the machine model where will be used.

FEED REGULATOR CAM



BUTTONHOLER



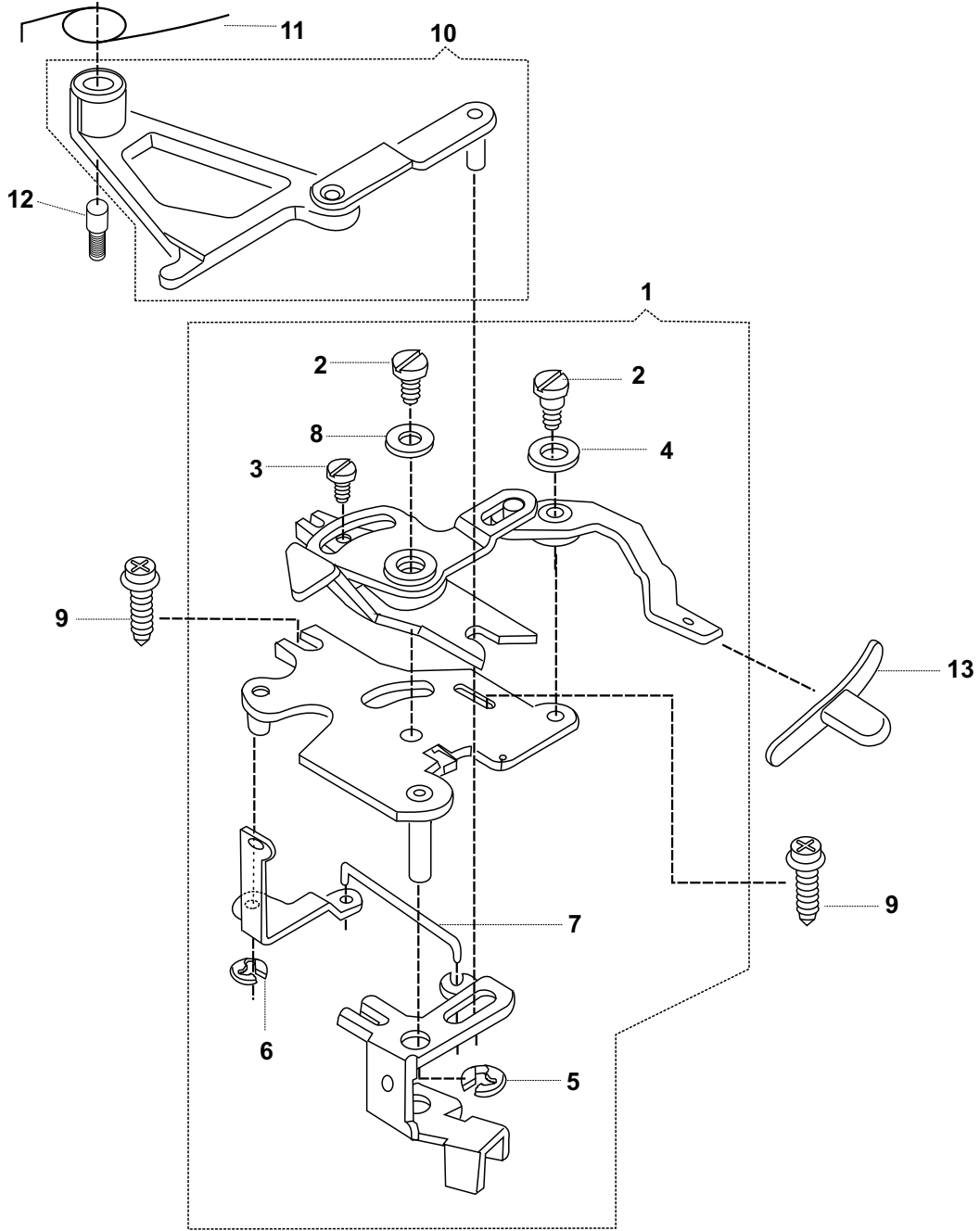
FEED REGULATOR CAM

REF.	PARTS NUMBER	DESCRIPTION	9876/9876-1	9868/9868-1	9860/9860-1	9858/9858-1	9855/9855-1	9852/9853-1	9850/9852-1
01	353478000	Control arm assembly				•			•
02	353477000	Feed regulator cam				•			•
03	618638005	Nut				•			•
04	44892000	Spring				•			•
05	354975451	Positioning screw				•			•
06	113455001	Arm mouting bracket screw				•			•
07	531806401	Plate screw				•			•
08	358313xxx	Reverse button				•			•

BUTTONHOLER

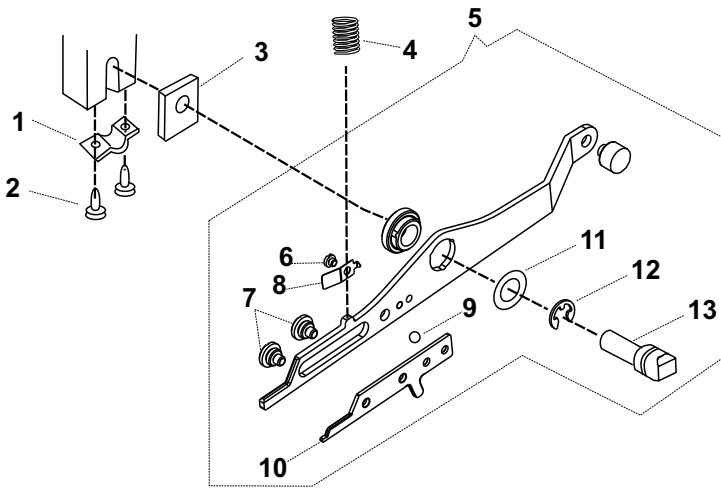
REF. NO DESENHO	Nº DA PEÇA OU CONJUNTO	DESCRIÇÃO	9876/9876-1	9868/9868-1	9860/9860-1	9858/9858-1	9855/9855-1	9852/9853-1	9850/9852-1
01	358415xxx	Buttonholer assembly	•	•	•		•	•	
02	356650000	Feed regulator positioning pin	•	•	•		•	•	
03	356830001	Washer	•	•	•		•	•	
04	357094000BUY	Positioning pin carrier	•	•	•		•	•	
05	618638005	Nut	•	•	•		•	•	
06	141913451	Feed regulator arm screw	•	•	•		•	•	
07	353536000	Arm lever (right)	•	•	•		•	•	
08	408030000	Retaining ring	•	•	•		•	•	
09	445808000	Washer	•	•	•		•	•	
10	179949000	Mounting plate stud spring	•	•	•		•	•	
11	445486000	Retaining ring	•	•	•		•	•	
12	113455001	Arm clamp screw	•	•	•		•	•	
13	353321000	Arm left lever	•	•	•		•	•	
14	113513451	Screw	•	•	•		•	•	
15	53640819	Nut	•	•	•		•	•	
16	358312xxx	Reverse button	•	•	•		•	•	
17	356230000	Mounting plate stud	•	•	•		•	•	

When you need a part number with the suffix (xxx), please indicate the machine model where will be used.

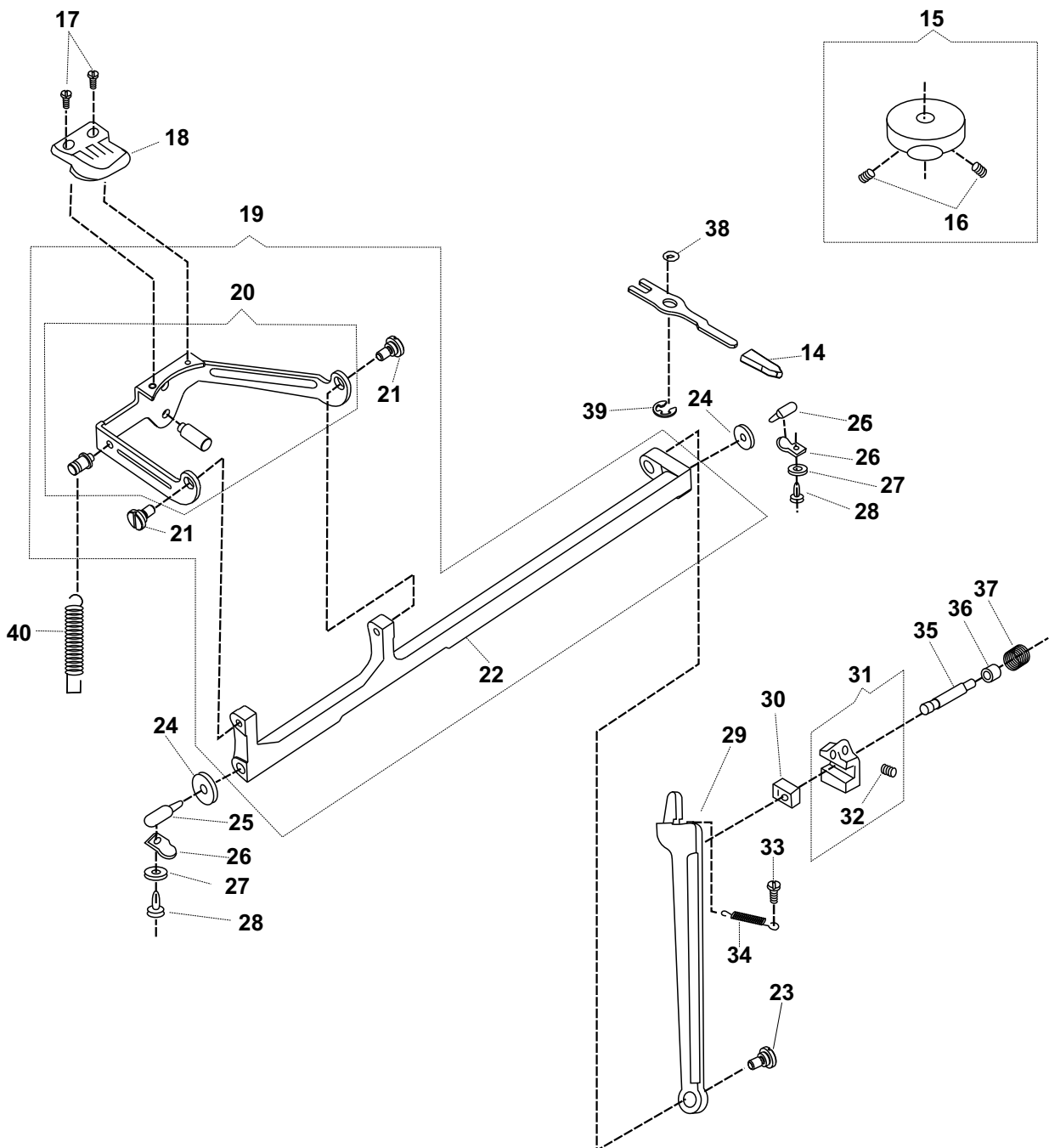
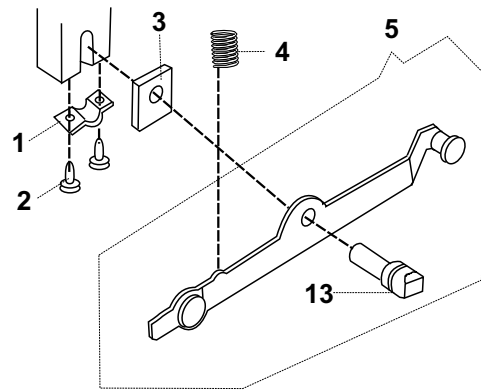


FEED SYSTEM

For models 9876/9868/9860



For all other models

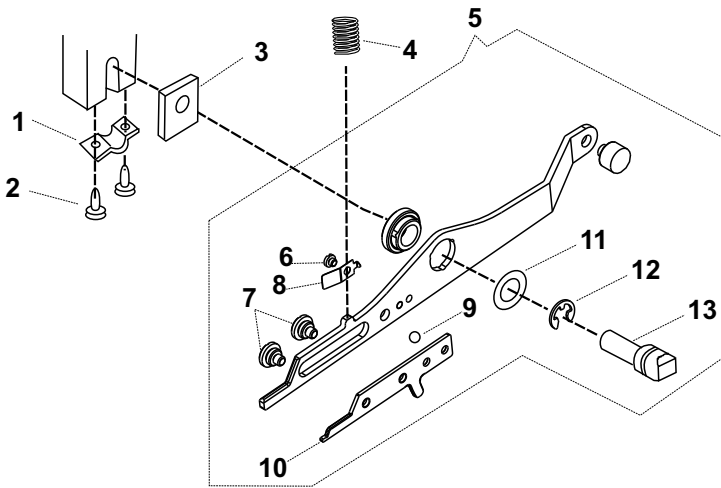


REF.	PARTS NUMBER	DESCRIPTION	9876	9868	9860	9858	9855	9852	9850	9876-1	9868-1	9860-1	9858-1	9855-1	9853-1	9852-1
01	446485000	Hinge stud clamp	•	•	•	•	•	•	•	•	•	•	•	•	•	•
02	113455001	Clamp screw	•	•	•	•	•	•	•	•	•	•	•	•	•	•
03	179955000	Stud spacer	•	•	•	•	•	•	•	•	•	•	•	•	•	•
04	446249000	Lever spring	•	•	•	•	•	•	•	•	•	•	•	•	•	•
05	358003000	Feed lifting lever, complete	•	•	•											
05	356222931	Feed lifting lever, complete				•	•	•	•	•	•	•	•	•	•	•
06	357863900	Stop spring screw	•	•	•											
07	357862900	Slide lever guide screw	•	•	•											
08	357807900	Drop feed sphere spring	•	•	•											
09	357919900	Stop sphere	•	•	•											
10	357806900	Drop feed sphere releasing lever	•	•	•											
11	353427000	Washer	•	•	•											
12	353428000	Retaining ring	•	•	•											
13	353448000	Feed lifting lever hinge stud	•	•	•											
13	357122000BUY	Feed lifting lever hinge stud				•	•	•	•	•	•	•	•	•	•	•
14	357877900	Lever button	•	•	•											
15	446228000	Feed lifter cam assembly	•	•	•	•	•	•	•	•	•	•	•	•	•	•
16	544118000	Feed lifter cam screw	•	•	•	•	•	•	•	•	•	•	•	•	•	•
17	355235451	Feed dog screw	•	•	•	•	•	•	•	•	•	•	•	•	•	•
18	179891000	Feed dog	•	•	•	•	•	•	•	•	•	•	•	•	•	•
19	358069000	Feed rock shaft, complete	•	•	•											
20	358001000	Feed bar, complete	•	•	•											
20	446204900	Feed bar, complete				•	•	•	•	•	•	•	•	•	•	•
21	354939451	Feed bar hinge screw	•	•	•	•	•	•	•	•	•	•	•	•	•	•
22	357636901	Feed rock shaft	•	•	•	•	•	•	•	•	•	•	•	•	•	•
23	531623451	Feed forked connection screw	•	•	•	•	•	•	•	•	•	•	•	•	•	•
24	353397000	Washer	•	•	•	•	•	•	•	•	•	•	•	•	•	•
25	446487001	Feed rock shaft center	•	•	•	•	•	•	•	•	•	•	•	•	•	•
26	446484000	Feed rock shaft clamp	•	•	•	•	•	•	•	•	•	•	•	•	•	•
27	353375451	Washer	•	•	•	•	•	•	•	•	•	•	•	•	•	•
28	113455001	Shaft supporting bracket screw	•	•	•	•	•	•	•	•	•	•	•	•	•	•

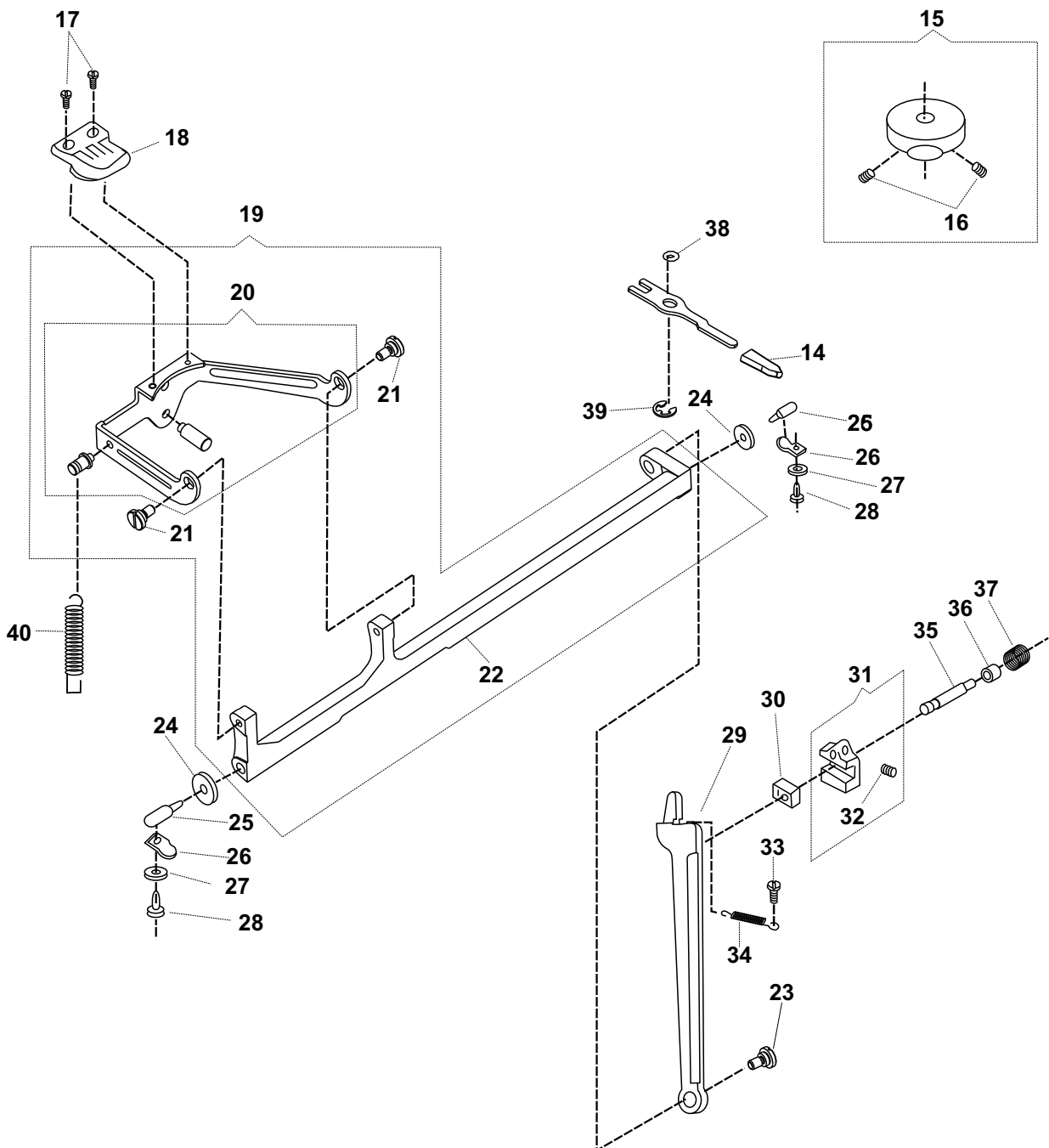
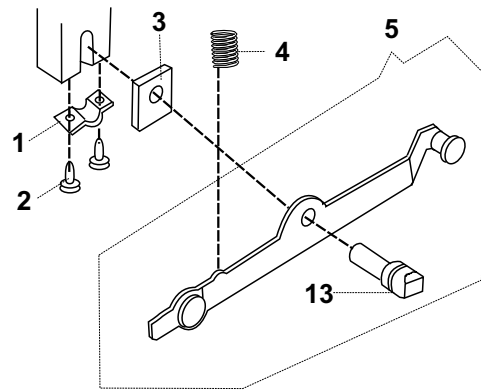
When you need a part number with the suffix (xxx), please indicate the machine model where will be used.

FEED SYSTEM

For models 9876/9868/9860

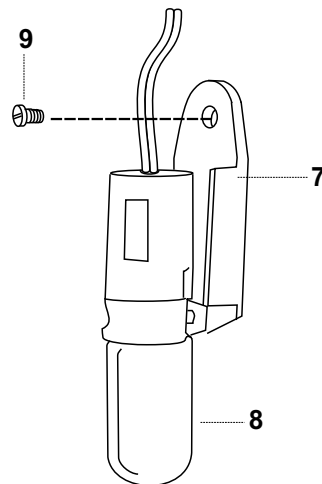
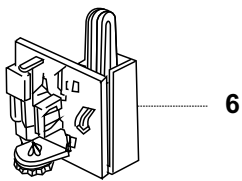
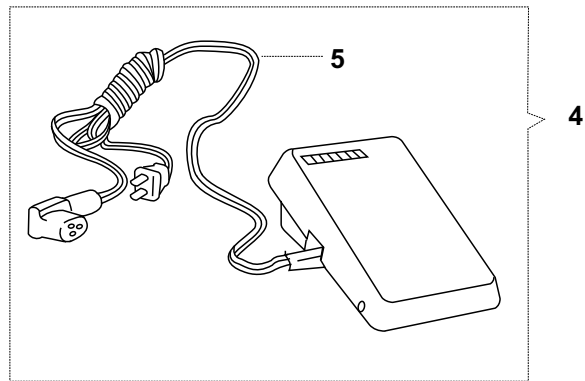
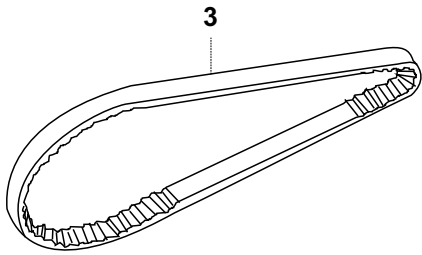
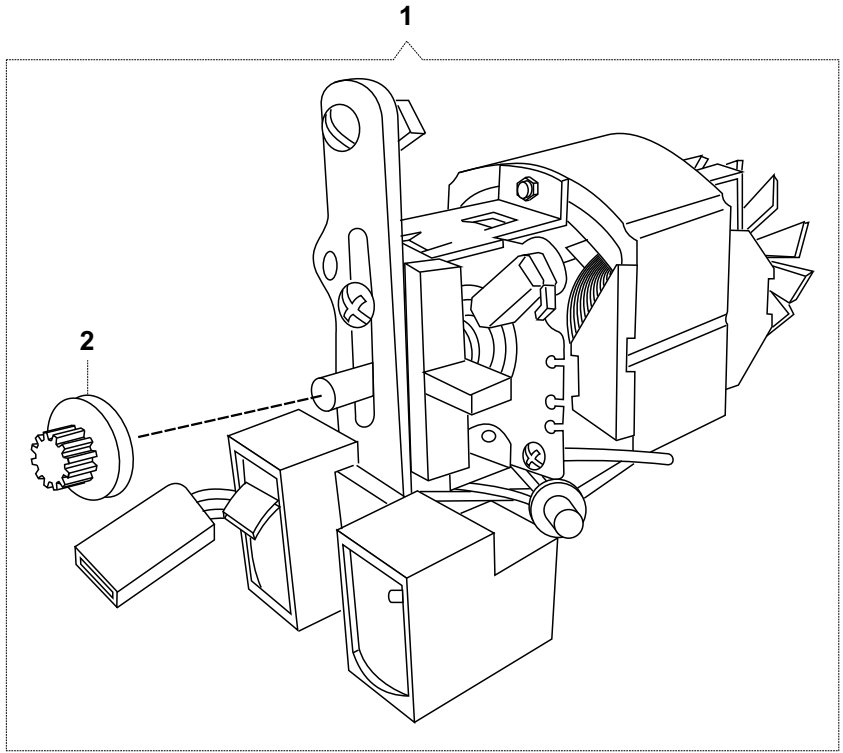


For all other models



REF.	PARTS NUMBER	DESCRIPTION	9876	9868	9860	9858	9855	9852	9850	9876-1	9868-1	9860-1	9858-1	9855-1	9853-1	9852-1
29	358369000	Feed forked connection	•	•	•	•	•	•	•	•	•	•	•	•	•	•
30	44437000	Slide block	•	•	•	•	•	•	•	•	•	•	•	•	•	•
31	446244000	Feed regulator assembly	•	•	•	•	•	•	•	•	•	•	•	•	•	•
32	141925833	Feed regulator set screw	•	•	•	•	•	•	•	•	•	•	•	•	•	•
33	358455900	Fork spring upper pin	•	•	•	•	•	•	•	•	•	•	•	•	•	•
34	358370900	Fork hinge spring	•	•	•	•	•	•	•	•	•	•	•	•	•	•
35	446483000	Regulator pin	•	•	•	•	•	•	•	•	•	•	•	•	•	•
36	445768000	Hinge spring bushing	•	•	•	•	•	•	•	•	•	•	•	•	•	•
37	179890000	Hinge spring	•	•	•	•	•	•	•	•	•	•	•	•	•	•
38	179890000	Drop feed lever washer	•	•	•											
39	445486000	Retaining ring	•	•	•											
40	357983900	Feed bar spring	•	•	•											

When you need a part number with the suffix (xxx), please indicate the machine model where will be used.



SINGER[®]
AT HOME WORLDWIDE